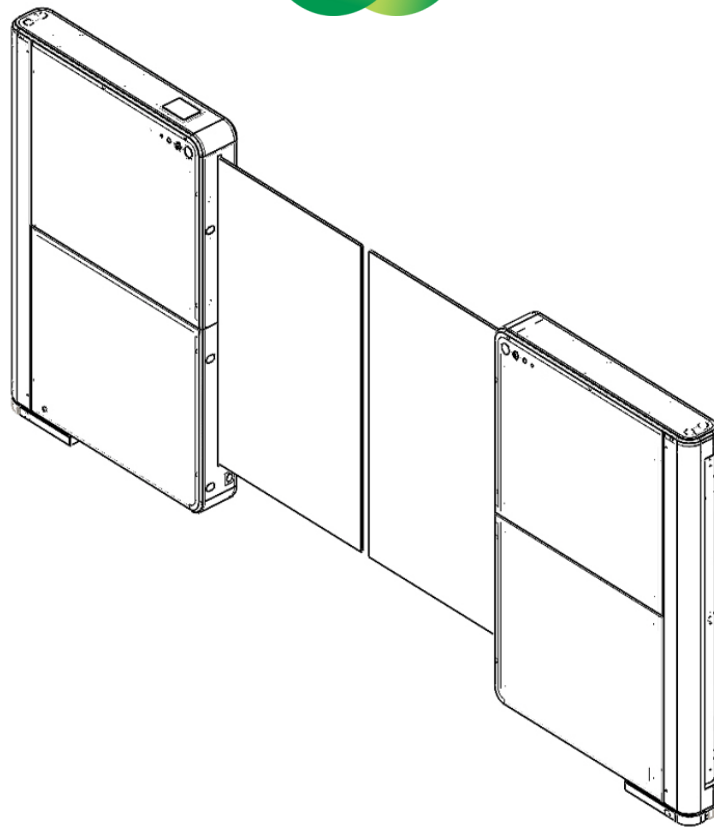


# SigmaGate 2 1200

Woolworths Entry Gate  
Hardware Installation manual



## Version Control

| Version | Date       | Comments   | Issued by           |
|---------|------------|--|---------------------|
| 1.0     | 30/04/2026 | <ul style="list-style-type: none"> <li>First version</li> </ul>  | Jonathan Gunnarsson |
| 1.1     | 15/05/2026 | <ul style="list-style-type: none"> <li>Separated the hardware installation instructions from the final digital commissioning process to keep this manual focused on physical gate installation only.</li> <li>Chapter 1, Page 4: Added a note stating that final commissioning must be completed by a Radford Digital Gate Commissioner.</li> <li>Chapter 8, Page 58: Added instructions stating that a Radford Digital Gate Commissioner is required to complete the final gate setup.</li> <li>Chapter 9, Pages 59 to 61: Removed all checklist items related to the final digital commissioning process.</li> </ul> | Jonathan Gunnarsson |



## Contents


|  |           |
|--|-----------|
| <b>1. This Manual</b> .....                                | <b>4</b>  |
| <b>2. Safety</b> .....                                     | <b>5</b>  |
| <b>3. Legal</b> .....                                      | <b>7</b>  |
| <b>4. Product Overview</b> .....                           | <b>10</b> |
| <b>4.1. Dimensions</b> .....                               | <b>10</b> |
| <b>4.2. Technical specification</b> .....                  | <b>11</b> |
| <b>5. Hardware Installation</b> .....                      | <b>12</b> |
| <b>5.1. Shipment content</b> .....                         | <b>12</b> |
| <b>5.2. Pre-installation checks</b> .....                  | <b>15</b> |
| <b>5.3. Mounting</b> .....                                 | <b>16</b> |
| <b>5.4. Install battery and ITAB Edge Board</b> .....      | <b>30</b> |
| <b>5.5. Electrical connections</b> .....                   | <b>34</b> |
| <b>5.6. Adjust PECs</b> .....                              | <b>40</b> |
| <b>5.7. Approach Radar installation</b> .....              | <b>42</b> |
| <b>5.7.1. Install the approach radars</b> .....            | <b>42</b> |
| <b>5.7.2. Adjust the approach radars</b> .....             | <b>44</b> |
| <b>5.8. Remote &amp; Receiver installation</b> .....       | <b>46</b> |
| <b>5.8.1. Mount the receiver</b> .....                     | <b>46</b> |
| <b>5.8.2. Connect the receiver to the gate</b> .....       | <b>48</b> |
| <b>5.8.3. Set DIP Switches &amp; Pair Remotes</b> .....    | <b>51</b> |
| <b>6. Attach rails to the SigmaGate2</b> .....             | <b>55</b> |
| <b>7. Add MPB locking kit (Optional)</b> .....             | <b>57</b> |
| <b>8. Handover for digital commissioning of gate</b> ..... | <b>58</b> |
| <b>9. Commissioning sign-off checklist</b> .....           | <b>59</b> |
| <b>10. Store manager declaration</b> .....                 | <b>62</b> |
| <b>11. SigmaGate 2 Maintenance</b> .....                   | <b>63</b> |



# 1. This Manual

## General

Please read this manual carefully. Proper operation of SigmaGate 2 is crucial and can only be ensured by thoroughly understanding the instructions provided in this manual. It's essential to familiarize yourself with all the details and steps to avoid any operation errors and to ensure the equipment functions correctly and safely.



**NOTE**

This manual covers the hardware installation process only. Once the gates have been fully installed and powered up, the final commissioning process must be handed over to a Radford Digital Gate Commissioner for completion. There is no alternative method available for configuring and commissioning the gate.

## Copyright

Radford reserves all rights to this document and the information found therein. Reproduction, use, or disclosure to third parties without permission is prohibited. All rights are extended to the given parties, including registration of trademarks and technical modifications, without prior notice.

## Contact Information

**Shipping & Postal address:** Unit 6/5-7 Malta St Fairfield East

**Web address:** <https://www.radfordretail.com/>

**Software support:** [support@radfordretail.com](mailto:support@radfordretail.com)

**Service:** [service@radfordretail.com](mailto:service@radfordretail.com)

**Knowledge base:** <https://radfordretail.zendesk.com/hc/en-au>

## Scope

This manual outlines the safe and correct operational procedures for SigmaGate 2, Supplied by Radford and manufactured by ITAB.



## Target Group

Parts of this manual related to installation are intended for use exclusively by installation personnel. Installation should be conducted by personnel certified by Radford to ensure proper handling and safety.

It is crucial that users such as staff and maintenance personal thoroughly understand the safety instructions outlined in this manual. Please refer to the "Safety and Legal" section for detailed information on safety guidelines and legal considerations. This precaution helps prevent accidents and ensures compliance with legal and safety regulations.

## Validity

This manual applies to:

| Product     | Version |
|-------------|---------|
| SigmaGate 2 | 1200    |

## 2. Safety

### Coverage

This chapter of the manual provides detailed information about safety, including various warnings, cautions, and safety symbols displayed on the machine. It is essential for all users and technicians to carefully review this section to understand the potential hazards associated with operating or servicing the machine. By familiarizing yourself with these safety guidelines, you can help prevent accidents and ensure a safer working environment.

### Read the Manual

Before proceeding with the operation of SigmaGate 2, it is crucial to read the entire manual thoroughly due to the complex nature of the product.

If there is anything in the manual that you do not understand or if you feel there is missing information about any aspect of the product, please consult with your management.



#### WARNING

Improper operation can result in personal injury or damage to the product or property.

It's important to ensure you have a complete understanding to avoid any risks associated with incorrect installation or operation.



## Warnings, Cautions & Notes


Throughout this manual, several essential points are specified. These critical issues may be either Warnings, Cautions, or Notes.

To view all crucial points in this manual, refer to the section titled “Important points explained”.


### Important points explained

The Warnings and Cautions provide information about potential hazards that, if not observed, can lead to personal injury or product damage.

Examples of Warnings and Cautions:




**WARNING**  
Situation that could lead to personal injury or severe personal injury, if the instruction is not observed.



**CAUTION**  
Situation that could lead to product damage if the instructions are not observed.

Notes emphasize important information and contain all types of information important to the user, except for safety information.

Example of a note:



**NOTE**  
This information highlights something of special interest or importance to the reader.



## 3. Legal

### Coverage

This chapter contains guidelines describing SigmaGate 2 warranty coverage.

### Policy

All warranty claims shall be inspected by Radford before the equipment is shipped to its designated facility.

### Warranty

The warranty does not cover products that are damaged through misuse or faulty repairs performed by parties other than ITAB authorized service organizations.

The warranty is void if any of the product's components or functionality are altered in any way from their Intended Use. See next page.

### Disclaimer List

Warranty void if:

- SigmaGate 2 is not installed by personnel certified by Radford.
- SigmaGate 2 is not installed according to local electrical codes.
- SigmaGate 2 is installed in areas where there may be a risk of flooding.
- Someone sits, steps, or stands on SigmaGate 2 or its equipment.
- There is erroneous or insufficient cleaning or maintenance of SigmaGate 2.
- SigmaGate 2 is tampered with, resulting in damage.
- SigmaGate 2 is used in an outdoor environment (the product is for indoor use only).
- The electrical architecture of SigmaGate 2 is tampered with or modified.
- Product label is removed or not readable.



## Intended Use

This product must be installed by Radford certified personnel only. Installation carried out by parties other than Radford certified personnel could result in a non-conforming product and hazardous situations.

The company that owns this machine is responsible for ensuring that SigmaGate 2 is used as specified in this manual.

Very vulnerable individuals and small children may require assistance or supervision when exiting or entering through a SigmaGate 2.

Although the product complies with all safety regulations regarding moving forces, some discomfort may still occur if the gate arm comes into contact with a person.

Children should be supervised to ensure that they do not play with the unit.

Frequently examine the installation for imbalance where applicable and signs of wear or damage to cables, springs, and mounting.

Do not use if repair or adjustment is necessary.

Disconnect the power supply when cleaning or maintenance is being carried out.

The installer shall check that the ambient temperature range is suitable for the product.

SigmaGate 2 complies with the following directives:

- 2006/42/EG MD (Machine Directive)
- 2014/30/EU EMC (Electromagnetic Compatibility)
- 2014/35/EU LVD (Low Voltage Directive)

SigmaGate 2 has been applied with the following harmonized standards:

- 12100-1 (Risk assessment)
- 60335-1
- 60335-2-103

SigmaGate 2 is to be placed in an environment with sufficient general lighting.

SigmaGate 2 is intended to be used in temperatures from +5°C to +30°C, in a relative humidity of 30% to 80% (non-condensing).









SigmaGate 2 must not be installed on altitudes over 2000 meters above sea level.

SigmaGate 2 must not be modified or re-built without the consent of ITAB.



## Symbols on the SigmaGate2

The following symbols are used on SigmaGate 2:

| Symbol  | Explanation   |
|---|---|
|    | Read this manual before using the product.  |
|    | Indicating warning! The product could be dangerous if it is used incorrectly and can lead to fatal injuries for the operator and others.                            |
|    | Environmental marking. This symbol indicates that the product must not be treated as domestic waste.  |
|   | CE marking. This symbol indicates conformity with health, safety, and environmental protection standards for products sold within the European Economic Area (EEA). |
|  | Class III appliance.  |
|  | WARNING! Situation can lead to personal injury or severe personal injury, if the instruction is not observed.   |
|  | <b>WARNING!</b><br>Sections within SigmaGate 2 contains high power. Only authorized personnel should operate within sections marked with this symbol.               |
|  | This symbol describes how to operate the Mechanical Panic Breakout (MPB) mechanism in case of panic evacuation.   |


The product label, including the CE marking, is located inside the gate on the glass carrier. An example of the label is shown below.





**ITAB** Instrumentvägen 2  
SE-553 02 Jönköping  
Tel: +46 (0)36 299 4600  
E-mail: info@itab.com  
www.itab.com

Type:  
**SigmaGate 2 900**

Specification: **STD** Direction: **Right**

Serial no.:  
**1097920310080**



**220-240V ~ 75W 50/60Hz 0.5A IP20**  
**For indoor use only**  
**MADE IN SWEDEN**  
*Warranty void if removed*



## 4. Product Overview

### 4.1. Dimensions

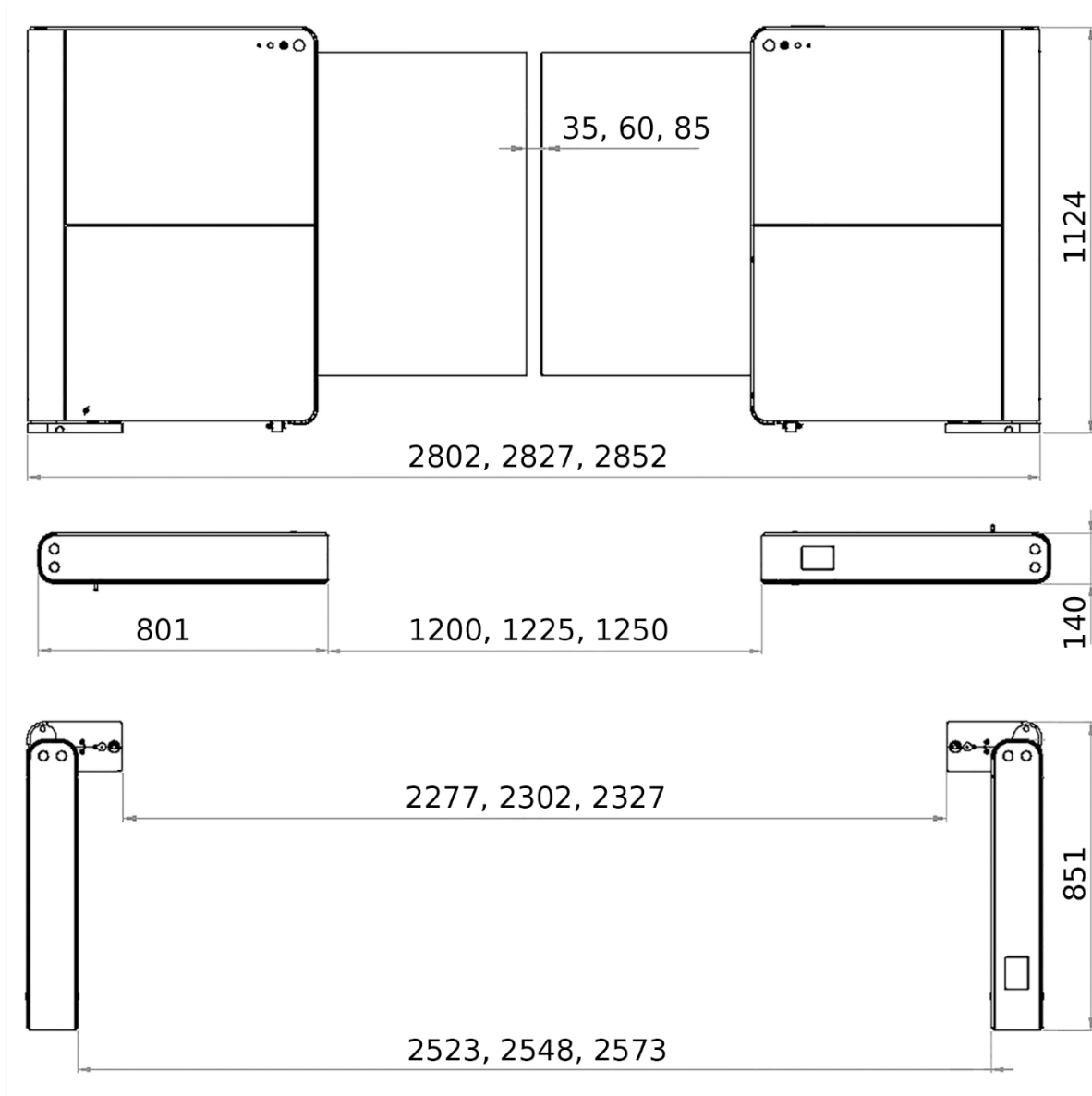


Figure 1 - Front view, Upper view & Upper view (MPB open) (mm)



## 4.2. Technical specification

|                           |  |
|---------------------------|--|
| Dimensions H x L x W (mm) | SigmaGate 2 1200: 1125 x 1401 x 140  |
| Weight (kg)               | SigmaGate 2 1200: 79 kg  |
| Certifications            | CE, CB   |
| Voltage                   | 24 V DC, 220-240 V AC  |
| Power consumption         | <p><b>Max power consumption:</b><br/>122 W (220-240 V SigmaGate 2 1200 with ScanMaster Upright).<br/>Maximum power consumption will vary based on the selected gate configuration but will not exceed the stated figure.</p> <p><b>Standby power consumption:</b><br/>77 W (220-240 V SigmaGate 2 1200).<br/>Standby power consumption depends on the chosen gate configuration.</p> |
| IP Class                  | IP20   |
| Operating temperature     | 0-35 °C  |
| Breakout force            | <p>Max: ≤200 N<br/>Default: 110 N<br/>Min: 60 N</p> <p>The preset force complies with relevant Australian standards. However, it is advisable to check local regulations or confirm any specific customer requirements before installation.</p> <p>The installer will have to make sure the breakout force is compliant as per local regulations after installation.</p>             |
| LED Light                 | Yes, Customisable colour for gate body and gate arm  |
| Synchronized opening      | Yes, wireless  |
| Panic Alarm               | Yes  |
| Communication             | Cloud connectivity through OnRed, Remote control, and Connection to fire alarm   |
| Customisable              | Yes, Colour of gate body, LED-colour, Gate arm Logo  |
| Installation              | Indoor   |
| Scanner                   | Optional   |
| Security solution         | Radar options, High gate arm option  |



## 5. Hardware Installation

### 5.1. Shipment content

Before beginning the installation, ensure that your shipment contains all the necessary parts. Check against the provided parts list or inventory sheet to confirm that you have everything required for a complete and successful installation. This preliminary step helps prevent delays and issues that may arise from missing components.

If any components are missing or damaged, please reach out to [order@radfordretail.com](mailto:order@radfordretail.com) immediately.

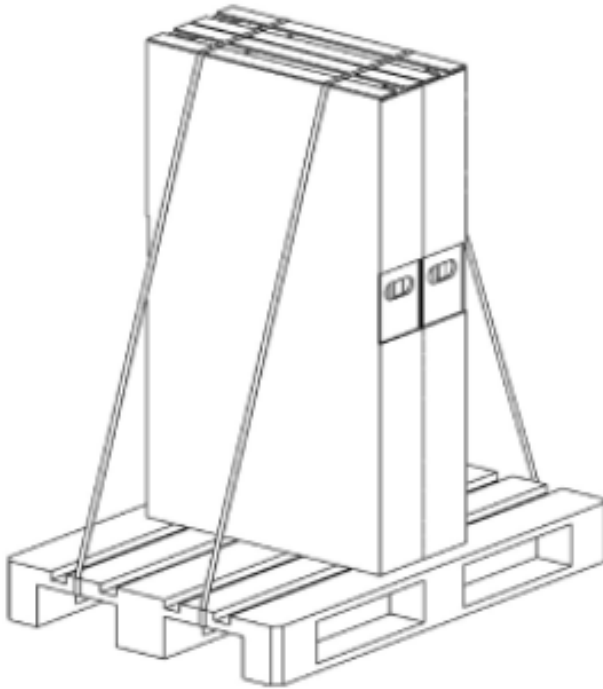


Figure 2 - SigmaGate 2 on pallet

**NOTE**

Make sure that your order is complete before unpacking.





## Remove packaging

1. Lift the outer cardboard protection straight up to remove it.
2. Fold down the cardboard side covers.
3. Remove the plastic protective cover by lifting it straight upward.

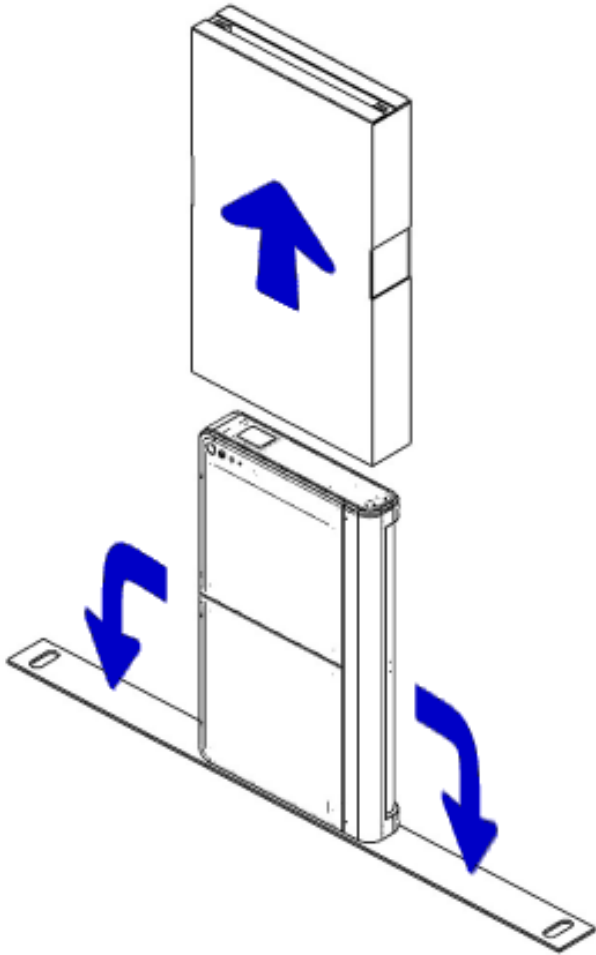


Figure 4 - Removing cardboard protection



## 5.2. Pre-installation checks

### Check delivery

Ensure that all parts have been delivered in good condition. Inspect each item for any signs of damage, such as dents, scratches, or broken pieces, as soon as you receive them. This check is important to avoid future functional issues or unsatisfactory results post-installation. If any damage is found, report it to the supplier immediately to arrange for replacements or resolve the issue.

### Required equipment and tools

- Standard tools
- Specific tools
  - Allen key 5 mm
  - Torx T20
- Floor plan of the area approved by Radford
- Drilling template
- Wi-Fi dongle

### Prepare for installation

Ensure there is sufficient workspace around SigmaGate 2, and if necessary, cordon off the required area to maintain safety and efficiency during installation or maintenance.

To fasten SigmaGate 2 to the floor, you need to turn the footplate 90 degrees from the closed position. Make sure there is space available for this.

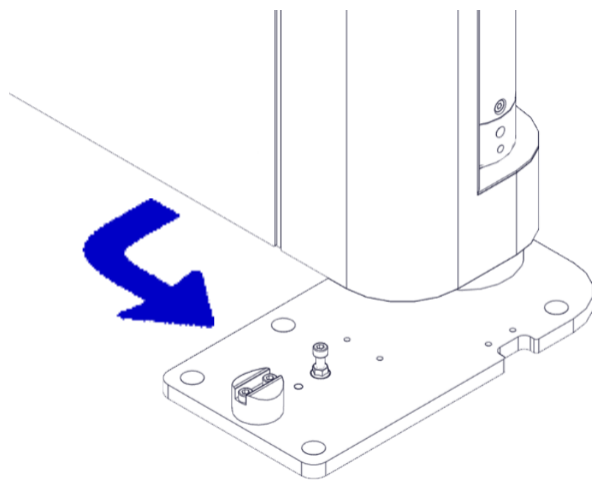


Figure 5 - Open the foot plate 90 degrees



### 5.3. Mounting

#### Prepare the site

Make sure the floor where SigmaGate 2 will be placed is flat and clean.

#### Mark where to drill

Use the drilling template and place it on the floor where SigmaGate 2 is to be located. Then, mark where to drill.

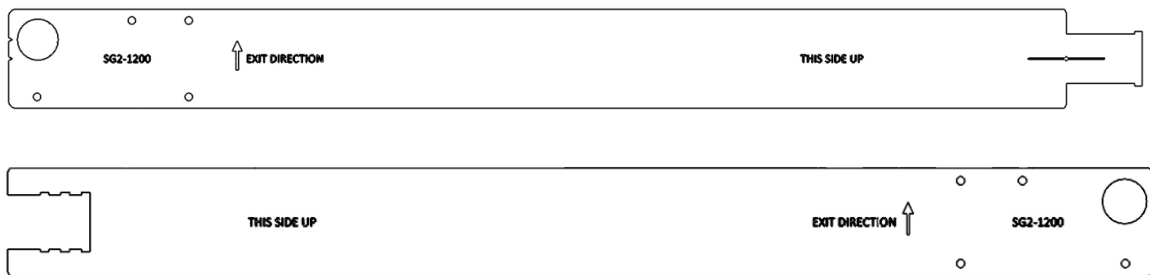


Figure 6 – Drilling template for SigmaGate 2 1200 mm

#### Glass arm gap

If two SigmaGate 2 are installed in parallel the gap between the arms can be adjusted by the way the template is connected. This allows for customization of the spacing to meet specific security or operational requirements.

It's important to ensure the template is connected correctly to achieve the desired spacing.

**NOTE**  
Woolworths standard gap should be **35 mm** unless anything else has been communicated.

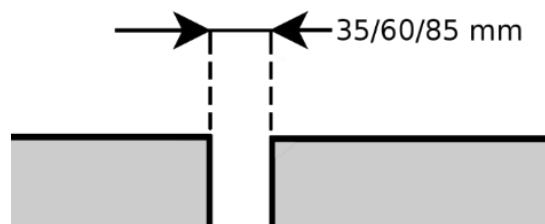


Figure 7 - Gap between glass arms

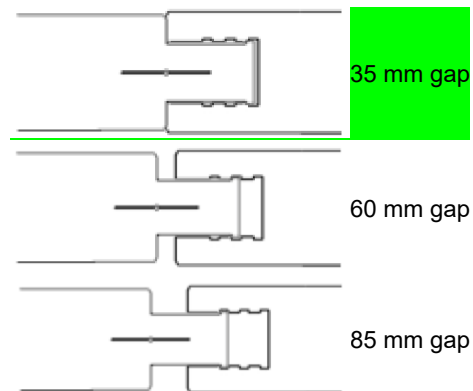


Figure 8 - Connect the template



### Cabling through the floor

If you plan to route cabling through the floor, the spacing between the cable locations in the floor for SigmaGate 2 vary depending on how the drilling template is connected to set the gap between the glass arms.

**NOTE**  
 Since the 2 gates now communicate wirelessly there is no need for a

| SigmaGate 2 – 1200 mm model |         |
|-----------------------------|---------|
| 35 mm                       | 2713 mm |
| 60 mm                       | 2738 mm |
| 85 mm                       | 2763 mm |

Cable routing is offset to the centre line by 25 mm towards the exit.

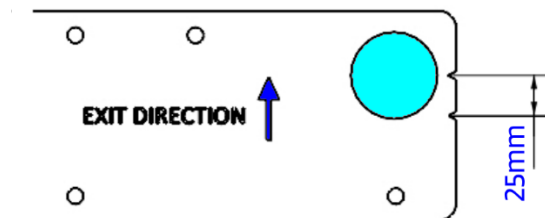


Figure 9 - 25 mm offset

### Drill the holes

Drill four holes where previously marked for the fasteners for each SigmaGate 2. Drill holes up to a maximum diameter of Ø10 mm to suit M8 fixings. It is recommended to use 4 × M8 × 75 mm bolts per gate bracket. Ensure the hole depth and diameter are suitable for the type of floor and the type of fixings used.

**NOTE**  
 The installer is responsible for determining which fixings are appropriate for the installation environment.

When installing a pair of SigmaGate 2 in parallel, make sure that the two sides of the drill template are well aligned with each other. This alignment is essential to ensure that SigmaGate 2 are parallel and function smoothly without any misalignment issues.

### Chemical anchoring must be used for all installations.

The installer must select a suitable chemical anchoring product based on the floor material and condition. Fixing type and embedment depth must be determined on site to ensure adequate strength and long-term stability of the installation



### Ensure the floor is level

When installing a pair of SigmaGate 2, it's especially crucial to ensure that the floor is level. Proper levelling is important both for the functionality of the gates and for their aesthetic appearance. An uneven floor can lead to operational issues and detract from the visual symmetry between the paired gates.

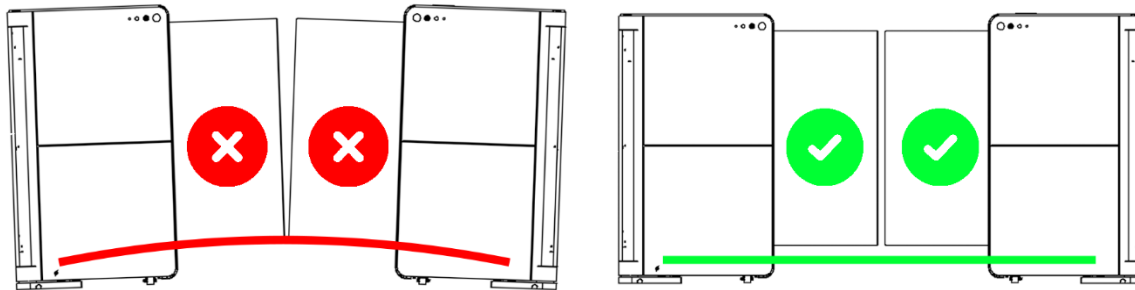


Figure 10 - SigmaGate 2 installed on a level floor

### Fasten the footplate to the floor

Place SigmaGate 2 over the four predrilled holes and fasten the footplate to the floor with four adequate fasteners (shielded anchor, etc.) in the holes **(1)**.

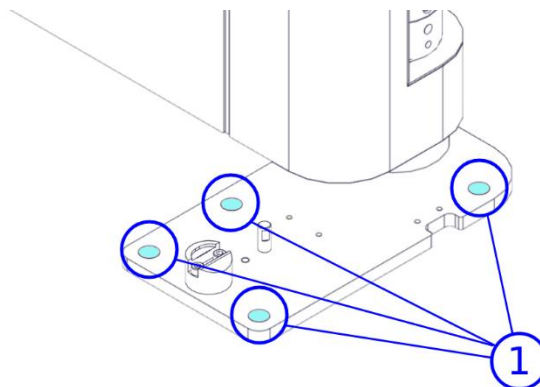




Figure 11 - Predrilled holes for fastening SigmaGate 2

|  |  |
|--|--|
|  <p><b>NOTE</b><br/>It is very important to ensure base plates sits above floor tile level.</p> |  <p><b>NOTE</b><br/>Always ensure that no fixing materials or chemical cement are present between the floor and the gate's foot when securing the gate foot to the floor.</p> |
|--|--|

### Remove U-beam

If the U-beam used to secure SigmaGate 2 to the pallet during transportation has not been removed yet, now is the moment to do so.



### Sideways levelling

To level SigmaGate 2 sideways, it is possible to use shims under the foot plate.

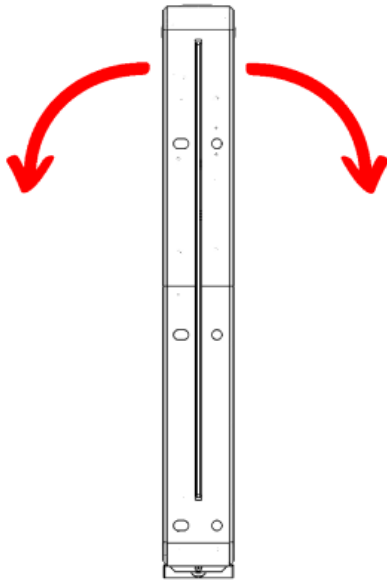


Figure 12 – Sideways levelling

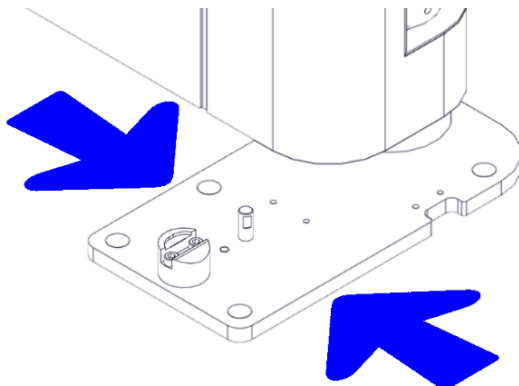




Figure 13 - Place shims to level SigmaGate 2

To place shims (see above picture) under the footplate:

1. First, loosen the fastening bolts.
2. Then, put the shims between the floor and the footplate where needed.
3. After using a spirit level to ensure the gate is level, retighten the bolts properly.


|  |   |
|--|---|
|  <p><b>NOTE</b><br/>The shims used should be of an appropriate material and large enough to ensure they do not destabilize SigmaGate 2. Use only shims at the sides indicated in the image.</p> |  <p><b>NOTE</b><br/>SigmaGate 2 should not be fastened to other foundation that concrete floor or similar.</p> |
|--|---|



### Open and remove the service hatches

To perform further adjustments and maintenance, remove the service hatches.

Be aware that removing the hatches will expose 220-240V cabling and non-insulated parts, as shown in the image. Ensure proper safety precautions are taken.



**WARNING**  
Danger of electrical shock.

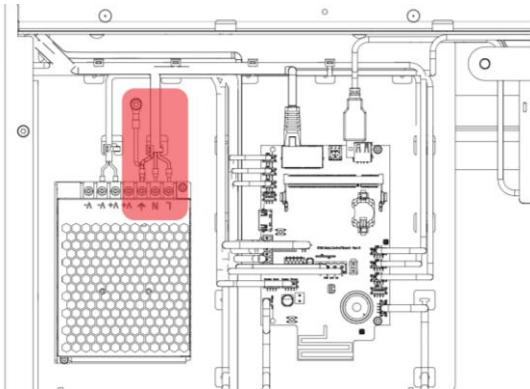
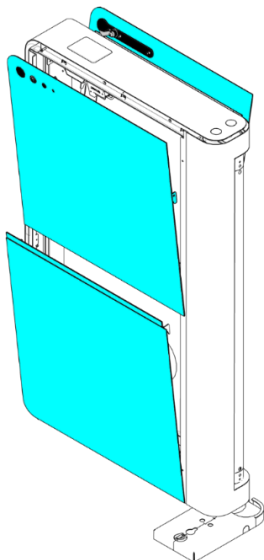



Figure 14 - 110-240V cabling and insulated parts

Additionally, take care with exposed low-voltage (SELF) circuits such as the motherboard. Touching these components can cause system damage due to electrostatic discharge (ESD).





**CAUTION**  
Can cause discomfort and damage to the system.

Figure 15 - Service hatches

Open and remove both top hatches and the lower hatch. The lower hatch with the key lock is fixed and cannot be removed.



## Adjust the front wheel

It is possible to further level SigmaGate 2 by adjusting the height of the front wheel.

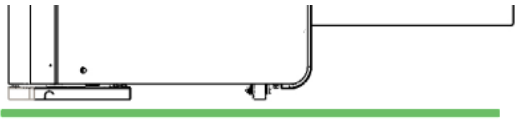


Figure 16 – Level floor - normal front wheel

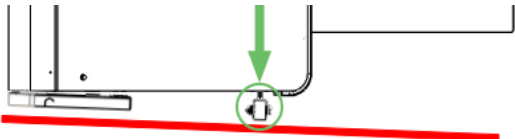


Figure 17 – Not level floor – lower front wheel

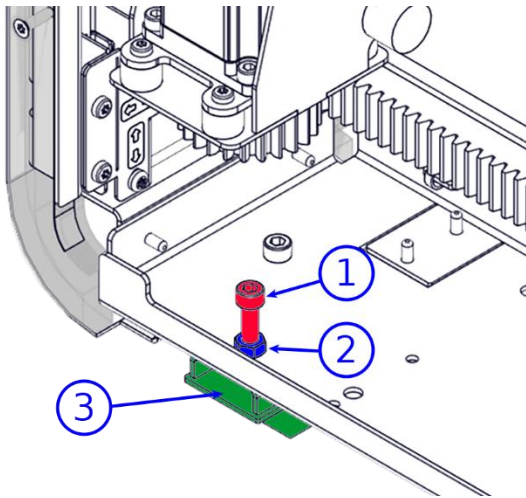


Figure 18 - Adjust the front wheel

1. Start by loosening the locking nut **(2)**
2. Use the wheel adjustment screw **(1)**, which is located at the front end of SigmaGate 2. By tightening the screw, you will lower the wheel **(3)** and loosening it will raise the wheel **(3)**.
3. After adjusting the wheel to the desired height, retighten the locking nut **(2)** to secure the wheel in its new position.
4. These steps allow you to effectively control the positioning of the front wheel, enhancing the functionality and stability of SigmaGate 2.



### NOTE

The front wheel must always be in contact with the floor.



## Set the Mechanical Panic Breakout (MPB) holder

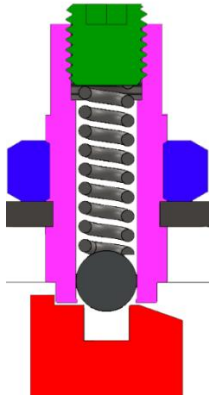


Figure 19 - MPB Holder

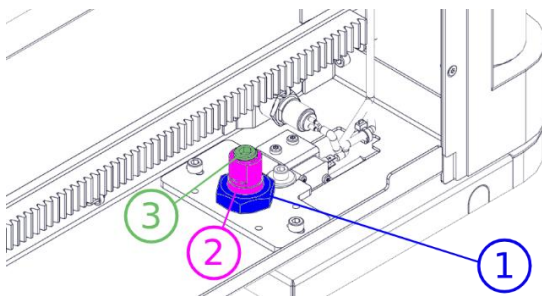


Figure 20 - Set MPB holder

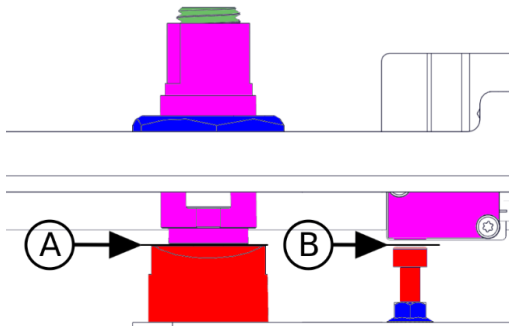


Figure 21 - MPB Holder gap and MPB Trigger gap

Follow the steps below to adjust the MPB holder to the correct height:

1. Untighten the locking nut **(1)** with a wrench (36 mm).
2. Turn the MPB holder **(2)** clockwise until the bottom of the holder just touches the foot. You may need an 18 mm wrench to do this.
3. Turn the MPB holder **(2)** half turn anticlockwise to create a small distance between the MPB holder and the foot. See (A) [Figure 21 - MPB Holder gap and MPB Trigger gap](#)
4. Retighten the locking nut **(1)**.
5. Test the function after adjusting.



## MPB force

The default MPB force for SigmaGate 2 is set to maximum 110N, measured 1000 mm from the floor level and at the outer edge of the gate door body.

Should it be necessary to change the MPB force it can be adjusted with the 8 mm Allen bolt. See #3 in [Figure 19 - MPB Holder](#).

Turn the Allen bolt anticlockwise to decrease the MPB force.

If the MPB force has been decreased earlier, it can be increased by turning the Allen bolt clockwise.



### NOTE

Be sure to follow national regulation regarding emergency evacuation routes.





## Version B

The Mechanical Panic Breakout (MPB) trigger version B is set using two screws located just above the MPB trigger.

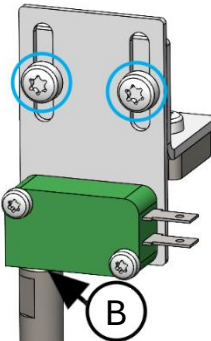


Figure 23 - MPB trigger adjustment screws (Version B)

To adjust the MPB trigger correctly, follow these steps:

1. Loosen both screws that secures the MPB trigger.
2. Adjust the MPB trigger up or down until the LED indicator on the MPB trigger emits a steady yellow light, indicating that the MPB trigger is correctly adjusted. The gap (B) should be around 1 mm.
3. Once the MPB trigger is accordingly adjusted, secure the MPB trigger in its new position with the screws, ensuring the adjustment remains stable.
4. Test the function by pushing the gate open. This should trigger the alarm.

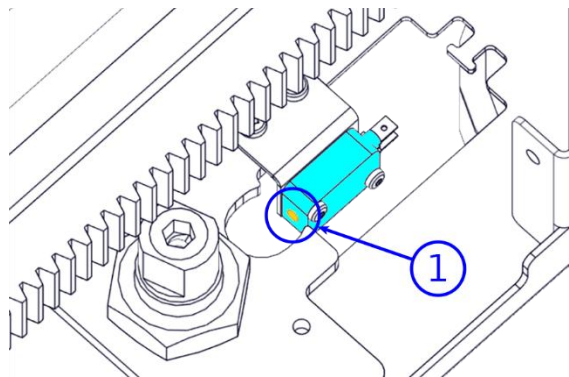


Figure 24 - MPB Trigger LED (1)



### Adjust the glass arm

The glass arm is aligned at the factory. Should further alignment be necessary, follow the steps below.

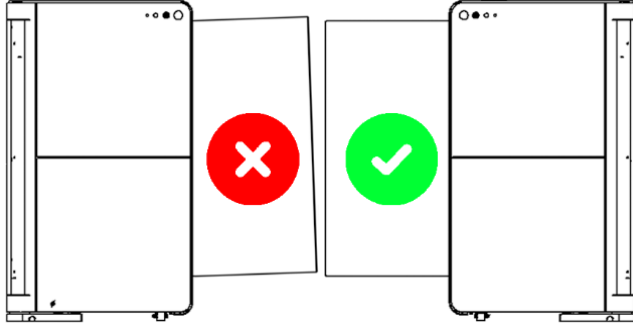


Figure 25 - Adjust the glass arm

1. Loosen the three 10 mm nuts **(1)** securing the glass arm.

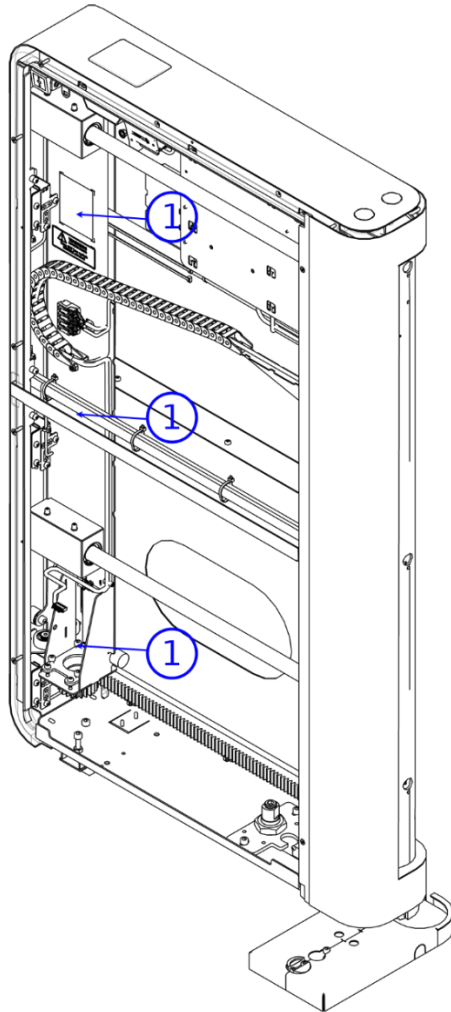


Figure 26 - 10 mm nuts (1)



2. Fine-tune the glass arm's angle by adjusting the 3 mm Allen adjustment screw (1), located in the lower section of the glass arm holder. The glass arm will pivot on the middle fastener.

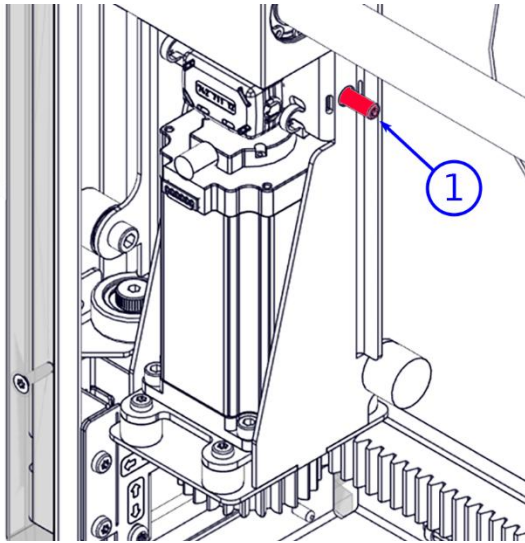
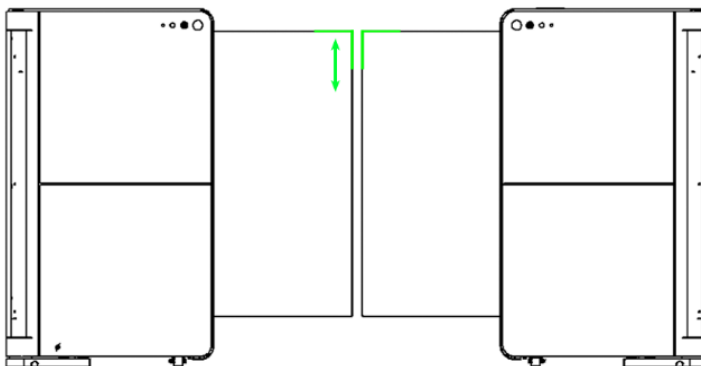


Figure 27 - Glass arm adjustment (1)

3. Ensure the glass arms are aligned correctly by using a spirit level.



4. Tighten the three 10 mm nuts to secure the glass arm in its new position.

**NOTE**  
The gap between the glass arms must not be less than 30 mm.

**NOTE**  
After adjustment, make sure to retighten the three 10 mm nuts.



## Align the gate

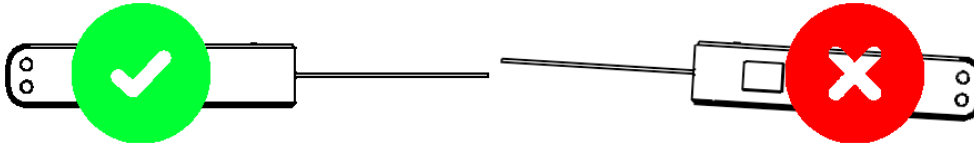


Figure 28 - Align two SigmaGate 2

If two parallel mounted SigmaGate 2 need fine alignment after they have been secured to the floor the alignment can be fine adjusted. To align two gates, follow these steps:

1. Start by loosening the two Allen bolts **(1)** located at the bottom back part of each gate. These bolts allow for adjustments to be made to the gate's position.

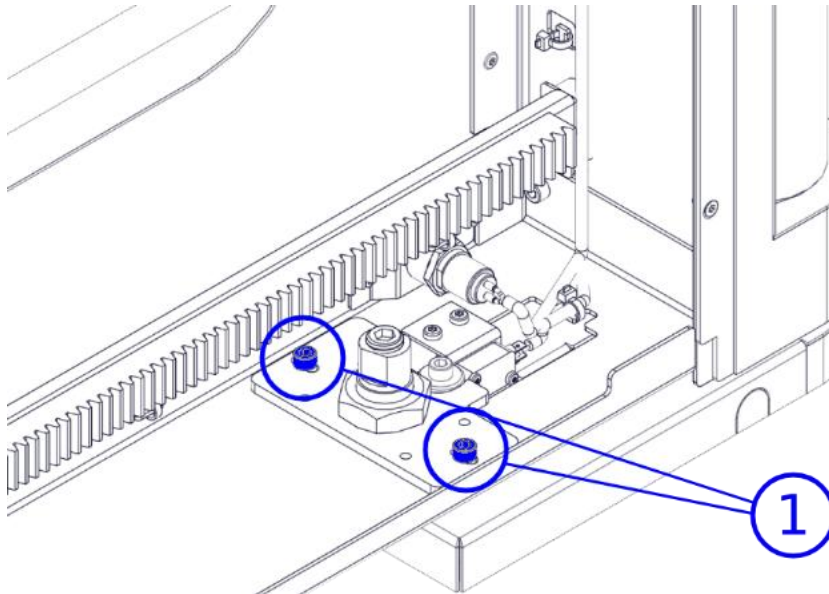


Figure 29 - Screws for aligning

2. Use a straightedge or a similar tool to check the alignment of the two gates. Adjust the position of each gate until they are perfectly aligned with each other.
3. Once the gates are aligned correctly, retighten the Allen bolts **(1)** to secure the gates in their new positions. Make sure the bolts are tight enough to hold the gates firmly, but avoid overtightening, which could damage the bolts.
4. The above steps ensure that the gates are aligned not just for functional performance but also for aesthetic consistency.



### Mount footplate covers

Place the two footplate covers **(1)** and fasten them with the provided Torx T20 M4 screws **(2)**.

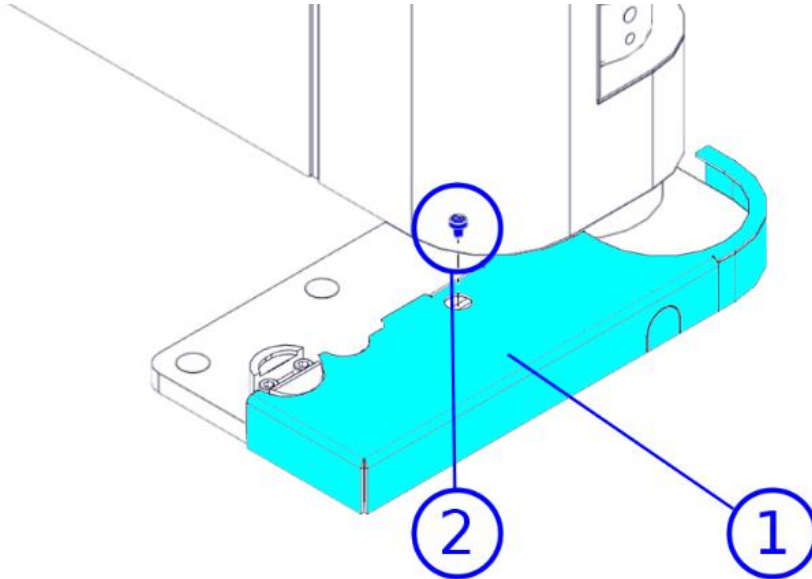


Figure 30 - Footplate covers

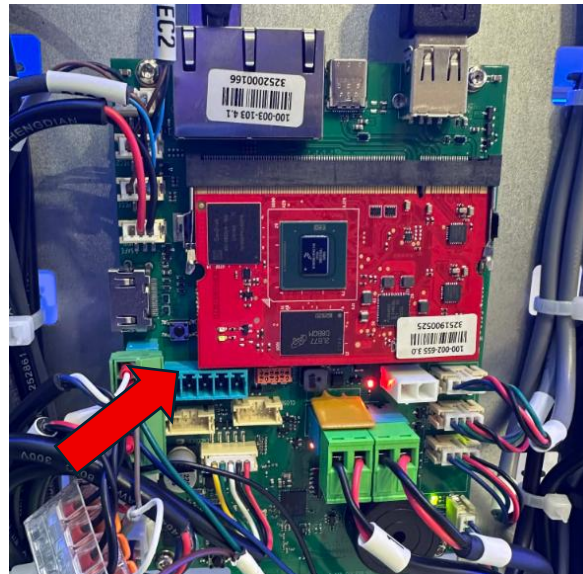


## 5.4. Install battery and ITAB Edge Board



### NOTE

If the gate was delivered with a red ITAB Edge Board and should be connected to a network, this chapter must be followed to set up the Edge Board. If the gate was not supplied with the board, proceed to Electrical connections.



### Static Electricity Precautions

- **Ground yourself.** The first and most important step to avoid ESD (Electrostatic Discharge) damage is to ground yourself before touching the edge board. You can ground yourself by using an anti-static wrist strap, which connects your wrist to a grounded metal part of the gate body. Alternatively, you can touch a grounded metal part of the gate body before handling the PCB board.
- **Maintain a proper working environment.** Avoid working on carpets, rugs, or fabrics, as they can generate or retain static charge. Additionally, refrain from wearing clothes or shoes that generate static electricity, such as those made of wool, nylon, or rubber.
- **Handle components carefully.** Handle PCB boards with care to prevent damage from ESD or other factors. Always hold components by their edges and avoid touching their pins, connectors, or circuitry. Do not place them on metal surfaces, such as tables or chairs, as these can cause short circuits or static discharge. Avoid moving or rubbing them against each other, as friction can generate static electricity. Keep PCB boards away from magnets, heat sources, liquids, and sharp objects to prevent damage.



## Where to install the ITAB Edge Board

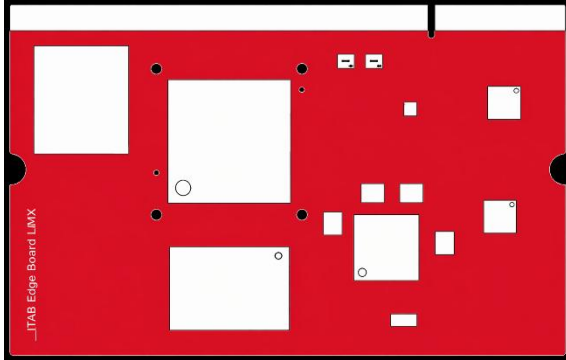
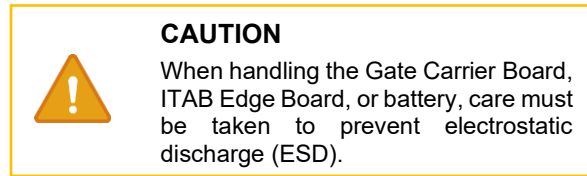


Figure 31 - ITAB Edge Board

For a SigmaGate 2 lane, it's important to note that only one ITAB Edge Board and only one battery should be installed. The battery should be installed in the same unit as the ITAB Edge Board.

Here's how to determine where to install the ITAB Edge Board:

- **If a ScanMaster 3 is present:** The ITAB Edge Board must be installed in the ScanMaster 3.
- **If a SigmaGate 2 has an integrated ScanMaster 3:** The ITAB Edge Board must be installed in SigmaGate 2 with the integrated ScanMaster 3.
- **If no ScanMaster 3 is present:** Install the ITAB Edge Board in one SigmaGate 2. Choose one that is conveniently located or central to the layout of the installation for ease of access and maintenance.
- This configuration ensures that there is a single point of control within the lane, which simplifies the management of the system.




## Install the battery

The battery (CR2032) must be installed before inserting the ITAB Edge Board.

To install the battery, follow the below steps:

1. Locate the battery - CR2032 socket **(1)** on the ITAB Gate Carrier Board.
2. Orient the battery so that the positive (+) side faces outward from the Gate Carrier Board. Pivot the battery so that you can insert it into the bottom of the socket.
3. As you slide the battery into place, press the top of the battery into the socket.



**WARNING**  
Do not connect the unit to power before installing the battery.

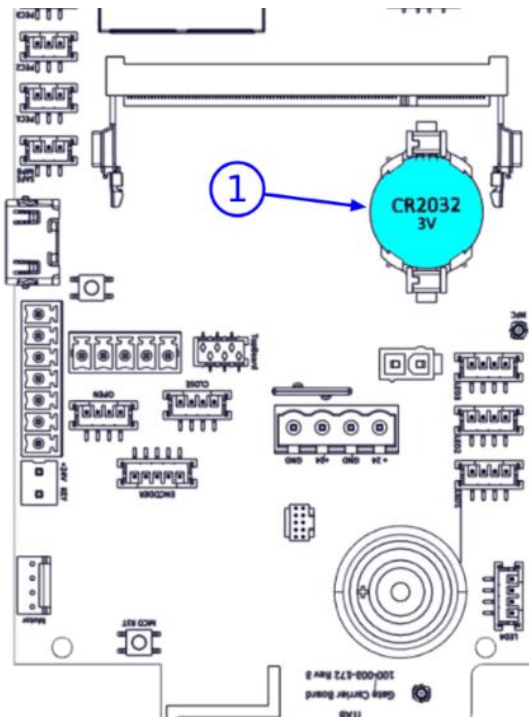


Figure 32 - CR2032 3V Battery (1)



## Install ITAB Edge Board

After installing the battery, the ITAB Edge Board can be installed.

To install the ITAB Edge Board, follow the below steps:

1. Holding the ITAB Edge Board along the edges, align the notches on the ITAB Edge Board with the ridge in the slot (shown in green in figure 33 below).
2. Apply even pressure and firmly press the ITAB Edge Board in position.
3. Ensure that it is straight and correctly seated in the holder.

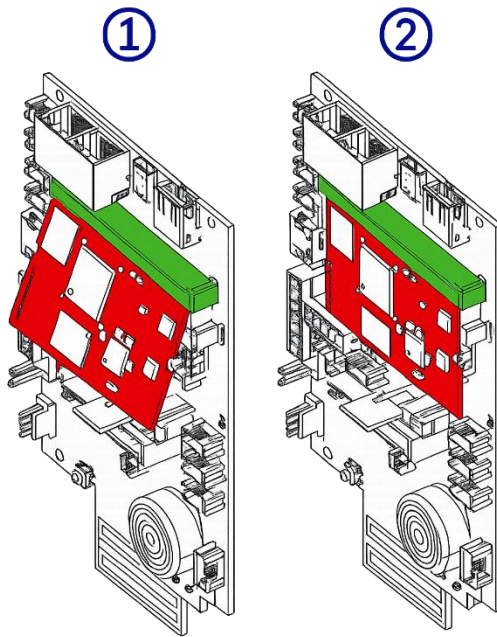


Figure 33 - Install ITAB Edge Board



### WARNING

Do not connect the unit to power before installing the ITAB Edge Board.

## Remount the service hatches

First place the lower hatch into its place followed by the two top ones.

See [Open and remove service hatches](#).



## 5.5. Electrical connections



### WARNING

The main power terminal is dangerous when the gate is connected to power. Always disconnect the power to the mains terminal before conducting any work to the gate.



### NOTE

The power feed to the system must have a max. 10A fuse. Maximum cable area for incoming mains terminal = 1.5 - 2.5 mm<sup>2</sup>.

### 24V or 220-240V version

SigmaGate 2 is available in two versions, 24V and 220-240V. It is crucial to adhere to the following connection instructions to avoid damaging SigmaGate 2.

The CE label on the inside of the case indicates which version (24V or 220-240V) it is.

It is also stated on the label on the packaging.

### Prepare electrical connections

Cables to SigmaGate 2 can be routed from the top, floor, or side.

Use recommended cables with nominal cross section area 1.5 – 2.5 mm<sup>2</sup>.



## Install Isolation switch

It is important to connect SigmaGate 2 to an isolation switch close to the gate and in the field of view so that power can be switched off (on all poles) during servicing, maintenance, or emergency shutdown.

### Requirements

#### Switch type

- 10A minimum grey isolator, *Clipsal IP56 Series 56SW110-GY* (or equivalent).

#### Labelling

- Must be clearly labelled “EXIT GATE POWER.”

#### Ingress protection

- Minimum IP56 rating for moisture and dust protection.

#### Circuit connection

- Connect to the UPS power circuit that supplies the exit gate.
- Ensure total gate load (120 W max per gate) does not overload the circuit.
- Install a dedicated UPS circuit if necessary.

#### Mounting location & details

- Mount the isolator directly above the black metal wall duct serving the exit gate.
- Duct specification: 2-channel black metal duct, 150 × 50 mm (ECD or Cableaway).
- The isolator should be easily accessible to store staff and service personnel.
- No service poles are to be used in the exit gate area.

#### Installation notes

- All wiring must comply with AS/NZS 3000 electrical standards.
- Coordinate location and connection with the electrical contractor responsible for gate power routing.
- Verify isolator function as part of commissioning and handover testing.

**Reference Woolworths document:** *SMK - BRP2023.1 - WE614 - G - Exit Gate Power & Data Layout.pdf*



Figure 34 - Isolation switch





### Electrical connectors

Behind the electrical connectors cover, there are 6 connection points.

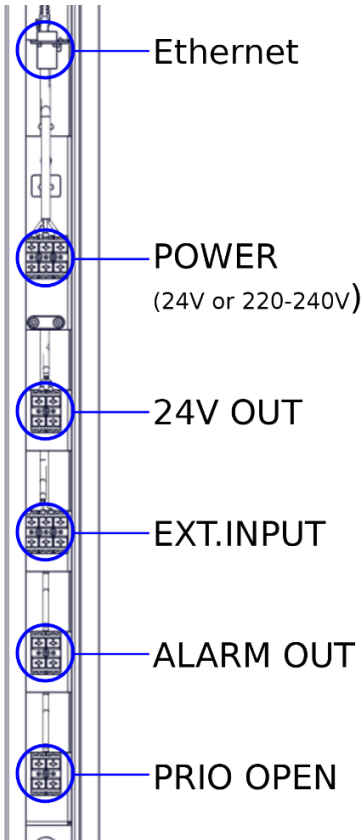


Figure 37 - Electrical connectors

### Connect Ethernet (Optional)

Connect SigmaGate 2 to a network by using an Ethernet cable (CAT5e or higher). The Ethernet connector is located at the top behind the connectors cover.

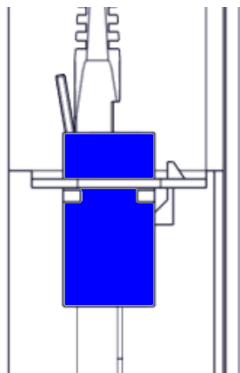


Figure 38 - Ethernet connector



### Connect power - 220-240V

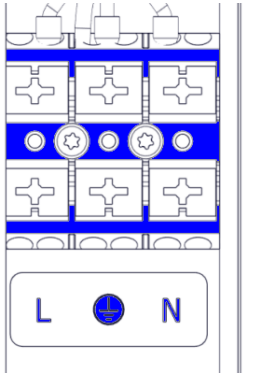


Figure 39 - Connect power 220-240V

Connect SigmaGate 2 to Mains 220-240V by following these steps:

1. Route the 220-240V cable through the top, floor, or bottom side of SigmaGate 2.
2. Adjust the cable length.
3. Connect the cable to the terminal block according to the markings on the terminal.
4. Fasten the cable to the strain relief.

### Connect gate to fire alarm (Optional)

To connect a fire alarm to the SigmaGate 2 and keep open until signal is released, follow these instructions:

1. Ground the signal between “12V” and “-” with a volt-free, normally open contact or with an NPN open-collector transistor capable of switching a minimum of 50 mA, with a pulse width duration of at least 100 milliseconds.

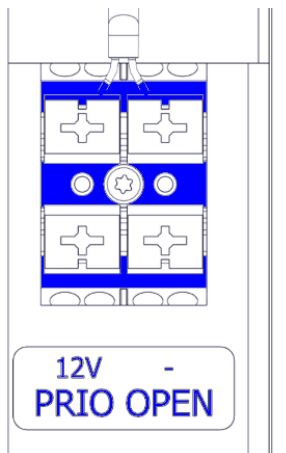


Figure 40 - PRIO OPEN

**NOTE**  
PRIO OPEN has highest priority.



## Store excess cables

Do not store any excess cable inside SigmaGate 2.

## Fasten the top tube

Use the screw **(1)** to securely fasten the top tube.

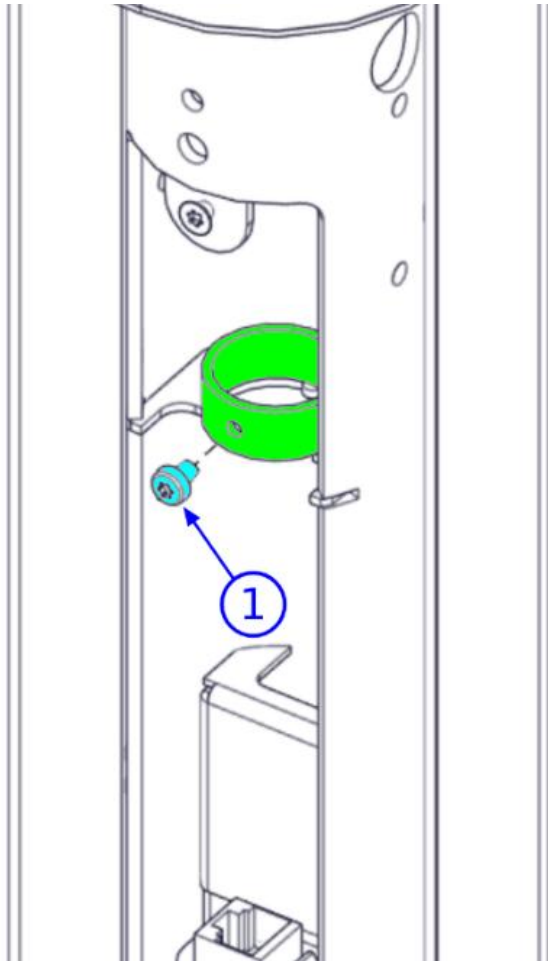


Figure 41 – Securing the top tube

It is crucial to fasten the screw tightly, as it functions as a grounding screw. Without this screw, the top tube may present a safety hazard.



## 5.6. Adjust PECs

Turn the motor switch to 0 position. This action disables the motor to move when PEC adjustment is being carried out.

Remove the front hatches.

The three photoelectric cells (PEC) should be adjusted to point towards the reflector on the opposite gate or towards a reflective surface on the opposite side of the walkway.

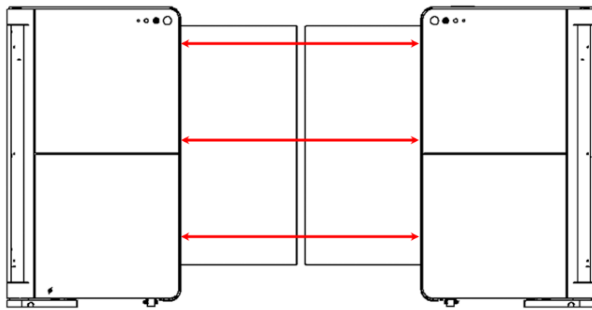


Figure 42 - PEC (Photoelectric Cells)

- To adjust the beam's **horizontal direction**, turn the horizontal adjustment screw **(1)** on the adjustment panel: clockwise to move it left, and anticlockwise to move it right.
- For **vertical adjustments** of the beam turn the vertical adjustment screw **(2)** on the adjustment panel: clockwise to move it up, and anticlockwise to move it down.

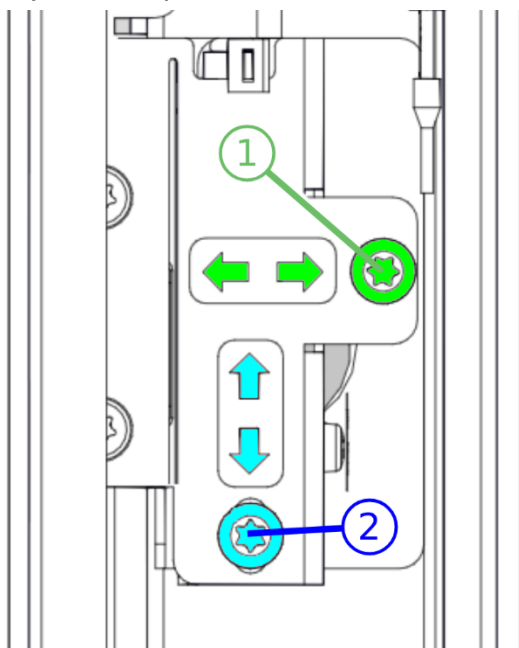


Figure 43 - PEC adjustment



- The beam is correctly adjusted when it is aligned directly with the centre of the reflective tape on the opposite gate, and the PEC's yellow LED emits a steady light. The green LED **(1)** indicates that the PEC is powered.

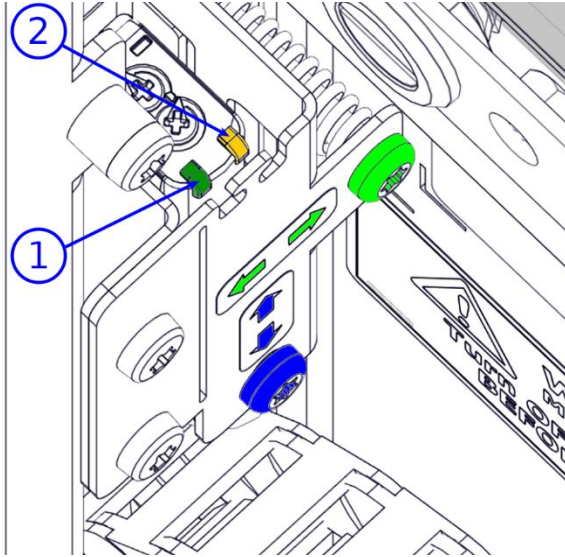



Figure 44 - PEC LEDs

 **NOTE**  
The yellow LED on the PEC must show a steady light. Flickering light is not optimal.



## 5.7. Approach Radar installation

### 5.7.1. Install the approach radars

If the gate doesn't come with approach radars fitted from factory, please follow the below instructions to install the two approach radars in the SigmaGate 2 (1).

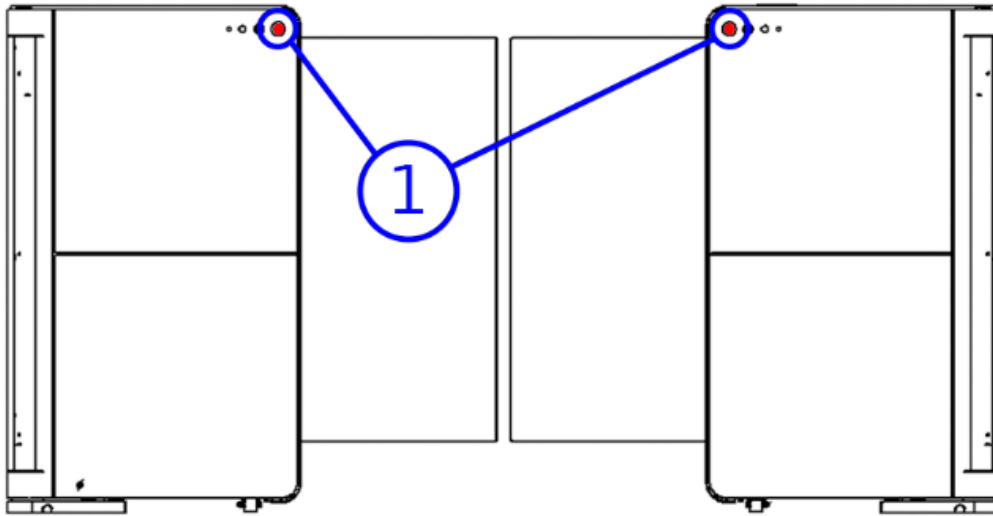
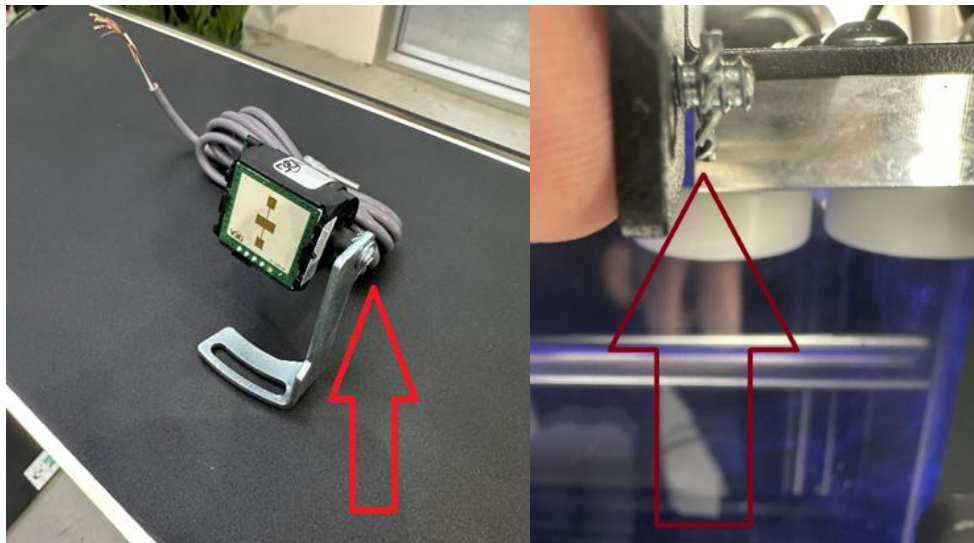


Figure 45 – Approach radar positions



1. Remove the screw from the bracket and discard the bracket if supplied. Use the bracket screw and washer to mount the customer facing radar to in the corner of the SigmaGate with the washer between the mounting plate and radar **THIS IS IMPORTANT!** so that the radar does not slip after install.



It is also particularly important when tightening the screw that the radar (1) is tilting downwards. This is to make sure that the radar picks up all customers.

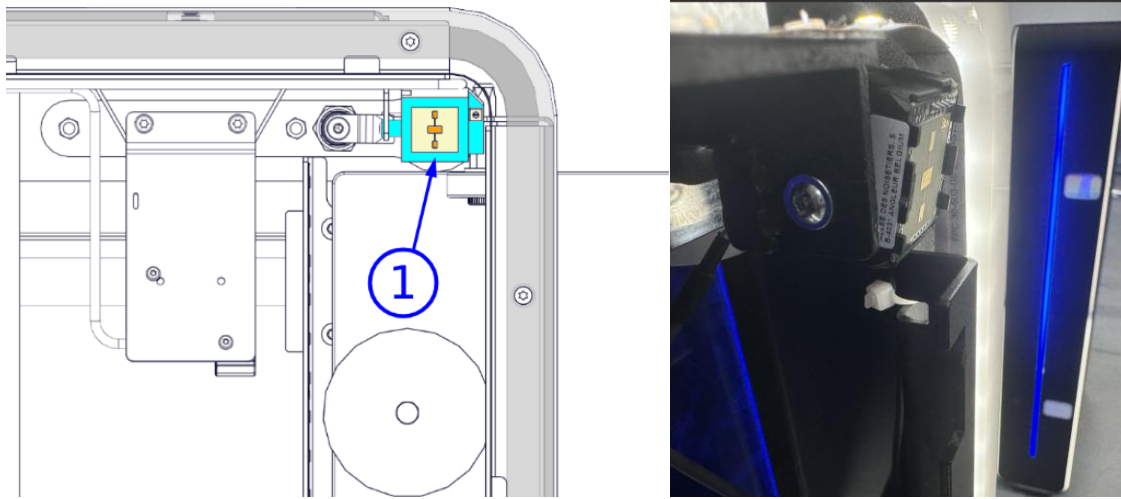


Figure 46 - Radar position (1)

2. Connect the radar according to the picture.  
To connect a front or back radar to the ITAB Gate Carrier Board in SigmaGate 2, follow these instructions:
  - Connect the front radar to the ITAB Gate Carrier Board’s “OPEN” connector (2).

**ITAB Gate Carrier Board connection:**

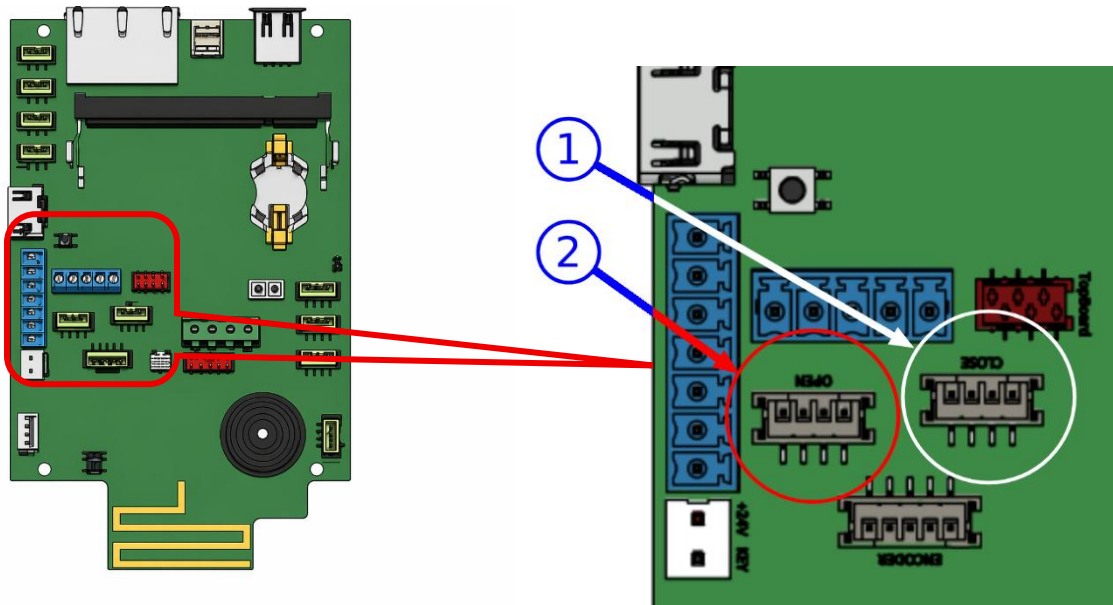


Figure 47 - Radar connectors on ITAB Carrier Board



### 5.7.2. Adjust the approach radars

When using an approach radar to trigger the gate, the gate opens when an object reaches and approaches the area of coverage.

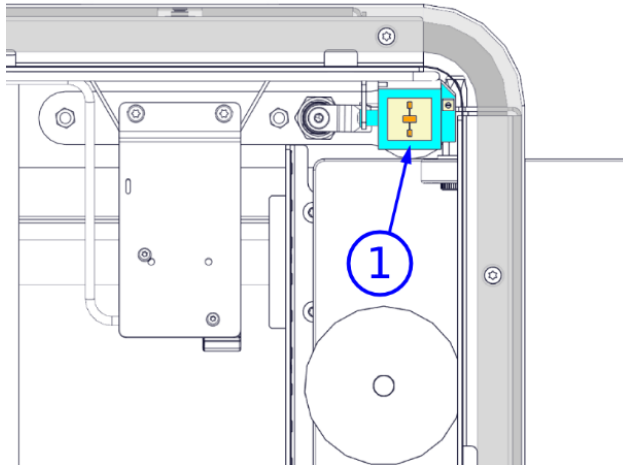


Figure 48 - Radar position (1)

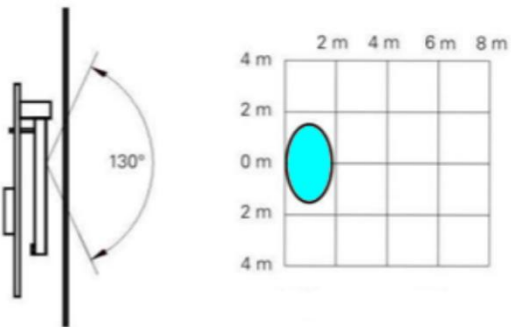


Figure 49 - Coverage from above – low sensitivity

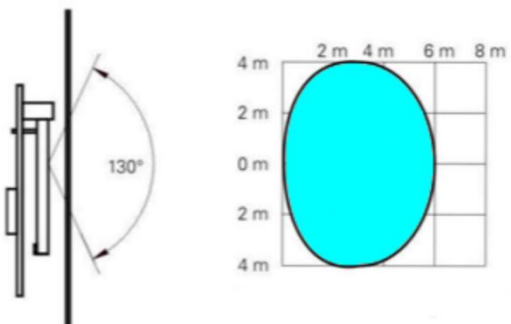


Figure 50 - Coverage from above – high sensitivity



Adjust the area coverage by turning the potentiometer **(1)** on the radar front.  
Please do this to both front radars on the gate.

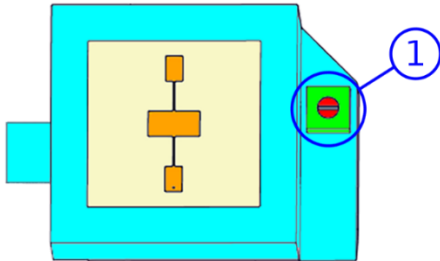
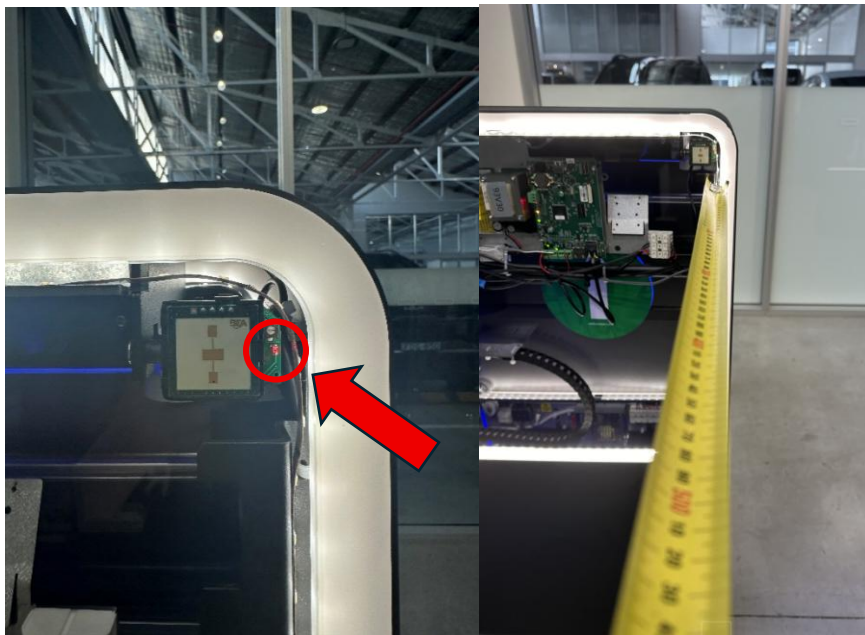


Figure 51 - Radar adjustment potentiometer (1)



Set the radar trigger distance to **2000 mm** with the cover installed.  
It is possible to adjust the trigger distance down to **1500mm if required**.

The trigger distance will vary depending on the installation environment. With the cover installed, use a measuring tape to adjust the range, and confirm detection using the red LED indicator.

Ensure the gate is not triggered unintentionally by people passing by who are not intending to enter through it.

**NOTE**  
When evaluating the distance with the cover on the trigger distance will slightly decrease. Also make sure there is nothing around the entrance that triggers the gate to open.



## 5.8. Remote & Receiver installation

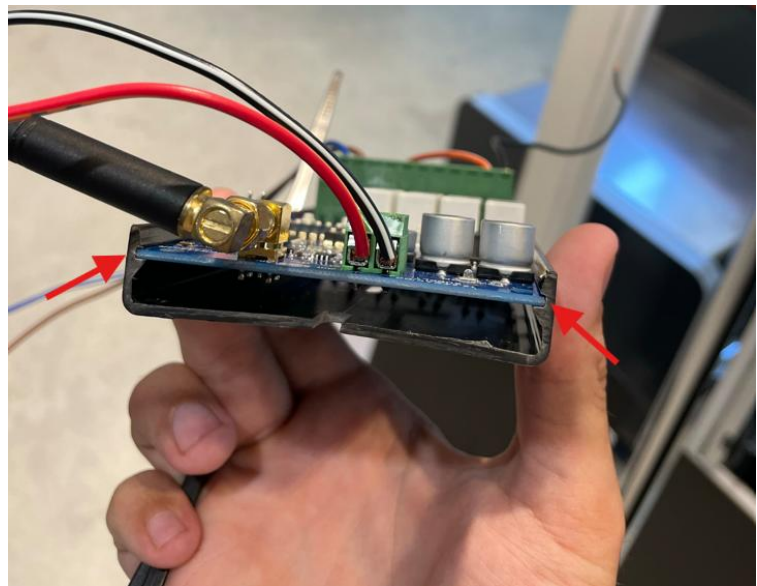
### 5.8.1. Mount the receiver



**NOTE**

The remote-control receiver must be installed on the same gate side as the ITAB edge board if installed.

1. Fit the receiver into the plastic bracket supplied with the receiver.



2. Mount the receiver inside the SigmaGate 2 in the position marked in light blue on figure 50 below. Make sure the receiver is installed on the same side as the ITAB edge board if installed.

In the image, the four holes **(1)** are marked, and a plate for mounting a remote control is secured in the bottom two holes.

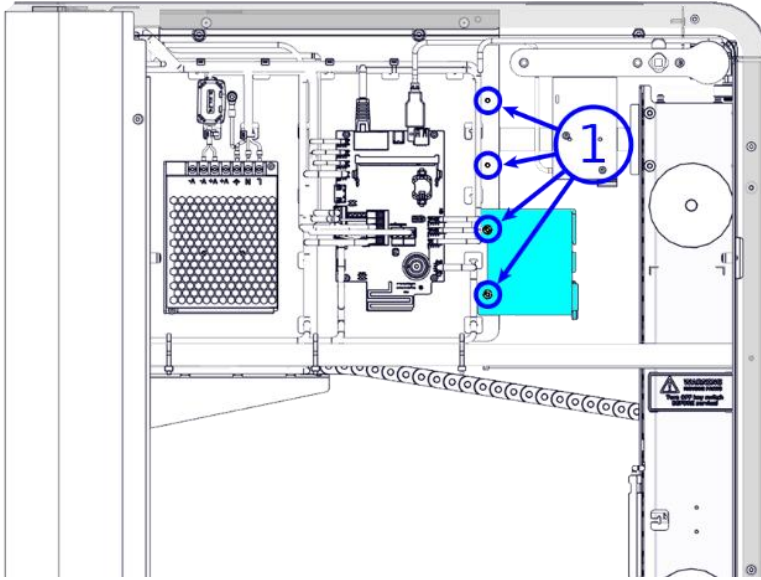
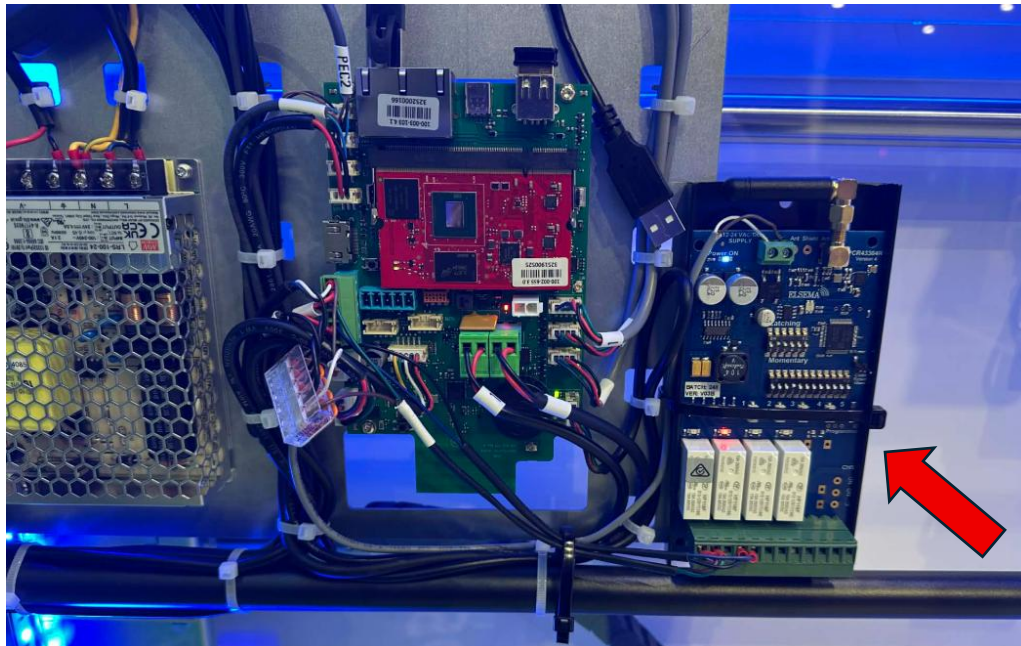


Figure 52 - Where to mount accessories

Example image of a Radford Elsema remote receiver fitted inside a SigmaGate2:



### 5.8.2. Connect the receiver to the gate

The following instructions will explain how to connect a remote receiver inside a SigmaGate 2.

**Remote control button function:**

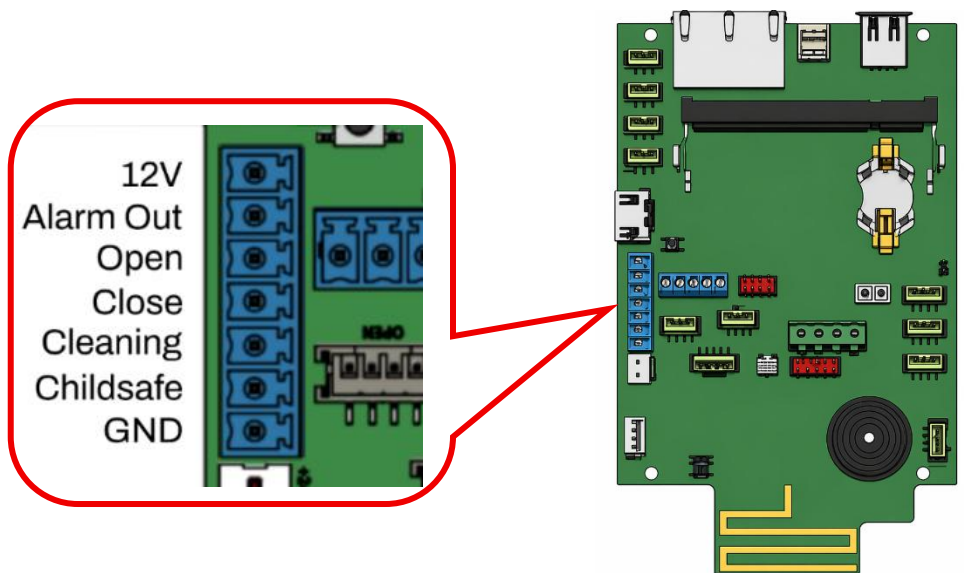
- **Button 1** - will be programmed to activate '**Auto Close**' on Gate 1
- **Button 2** - will be programmed to activate '**Cleaning Mode**' on Gate 1  
(Button 3 & 4 is only required if a second entry gate is installed)
- **Button 3** - will be programmed to activate '**Auto Close**' on Gate 2
- **Button 4** - will be programmed to activate '**Cleaning Mode**' on Gate 2



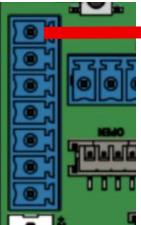

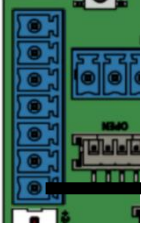

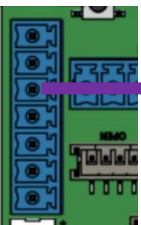

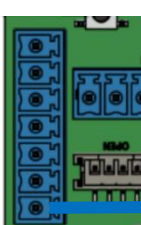

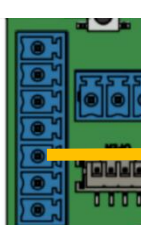

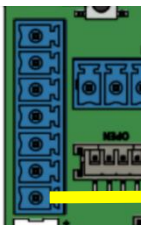

**NOTE**

The Generation 3 receiver does not include wiring. The installer will need to supply the necessary cables. To connect the receiver to the gate, you will need at least three 50 cm long 2-core wire cables.

**SigmaGate 2 Carrier board connections:**

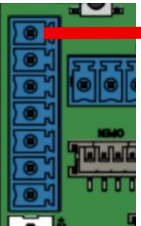

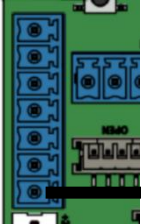

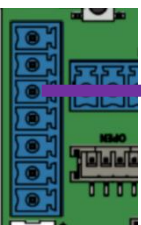

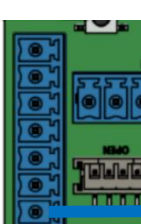

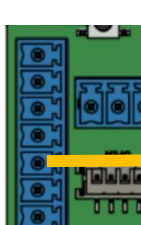

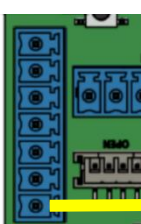



### Wiring instructions Entry Gate 1

| SigmaGate Carrier Board   | Remote Receiver   | Remote receiver connection |
|---|---|----------------------------|
| <p>12V<br/>Alarm Out<br/>Open<br/>Close<br/>Cleaning<br/>Chilidsafe<br/>GND</p>    |    | <p>Supply +</p>            |
| <p>12V<br/>Alarm Out<br/>Open<br/>Close<br/>Cleaning<br/>Chilidsafe<br/>GND</p>    |    | <p>Supply -</p>            |
| <p>12V<br/>Alarm Out<br/>Open<br/>Close<br/>Cleaning<br/>Chilidsafe<br/>GND</p>   |   | <p>CH1 NO</p>              |
| <p>12V<br/>Alarm Out<br/>Open<br/>Close<br/>Cleaning<br/>Chilidsafe<br/>GND</p>  |  | <p>CH1 C</p>               |
| <p>12V<br/>Alarm Out<br/>Open<br/>Close<br/>Cleaning<br/>Chilidsafe<br/>GND</p>  |  | <p>CH2 NO</p>              |
| <p>12V<br/>Alarm Out<br/>Open<br/>Close<br/>Cleaning<br/>Chilidsafe<br/>GND</p>  |  | <p>CH2 C</p>               |



**Wiring instructions Entry Gate 2** (Only applicable if a second entry gate is installed)

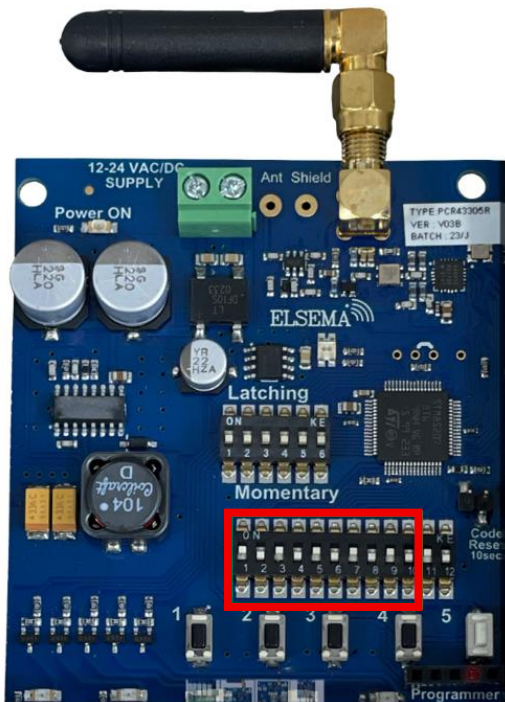
| SigmaGate Carrier Board  | Remote Receiver  | Remote receiver connection |
|--|--|----------------------------|
| <p>12V<br/>Alarm Out<br/>Open<br/>Close<br/>Cleaning<br/>Childsafe<br/>GND</p>    |     | <p><b>Supply +</b></p>     |
| <p>12V<br/>Alarm Out<br/>Open<br/>Close<br/>Cleaning<br/>Childsafe<br/>GND</p>    |     | <p><b>Supply -</b></p>     |
| <p>12V<br/>Alarm Out<br/>Open<br/>Close<br/>Cleaning<br/>Childsafe<br/>GND</p>   |   | <p><b>CH3 NO</b></p>       |
| <p>12V<br/>Alarm Out<br/>Open<br/>Close<br/>Cleaning<br/>Childsafe<br/>GND</p>  |  | <p><b>CH3 C</b></p>        |
| <p>12V<br/>Alarm Out<br/>Open<br/>Close<br/>Cleaning<br/>Childsafe<br/>GND</p>  |  | <p><b>CH4 NO</b></p>       |
| <p>12V<br/>Alarm Out<br/>Open<br/>Close<br/>Cleaning<br/>Childsafe<br/>GND</p>  |  | <p><b>CH4 C</b></p>        |



### 5.8.3. Set DIP Switches & Pair Remotes

#### On all Receivers

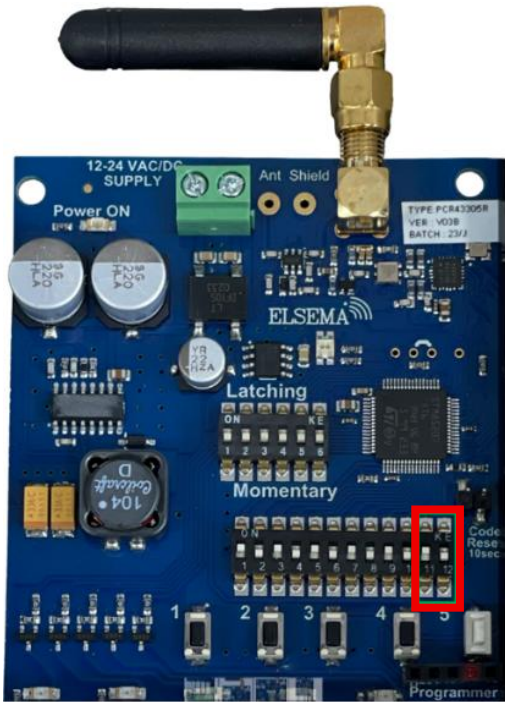
1. On all receivers, set switches 1-10 (outlined in red below) to match the postcode of the store using the examples in the table below.
2. As an example, if the store has a number 8 in the postcode, set DIP switch 8 to the ON/Up position and ignore any zeros in the postcode. If the postcode has the same number more than once like 8888 only switch 8 must be set to ON/Up and rest will be OFF/Down.



| Store postcode | DIP Switches 1-10   |    |   |   |   |   |   |   |     |  |     |   |   |   |   |   |   |   |   |   |    |
|----------------|---|----|---|---|---|---|---|---|-----|--|-----|---|---|---|---|---|---|---|---|---|----|
| 0043           | <table border="1"> <tr> <td>ON</td> <td></td> <td></td> <td></td> <td></td> <td></td> <td></td> <td></td> <td></td> <td>DIP</td> </tr> <tr> <td>1</td> <td>2</td> <td>3</td> <td>4</td> <td>5</td> <td>6</td> <td>7</td> <td>8</td> <td>9</td> <td>10</td> </tr> </table> | ON |   |   |   |   |   |   |     |  | DIP | 1 | 2 | 3 | 4 | 5 | 6 | 7 | 8 | 9 | 10 |
| ON             |   |    |   |   |   |   |   |   | DIP |  |     |   |   |   |   |   |   |   |   |   |    |
| 1              | 2   | 3  | 4 | 5 | 6 | 7 | 8 | 9 | 10  |  |     |   |   |   |   |   |   |   |   |   |    |
| 0333           | <table border="1"> <tr> <td>ON</td> <td></td> <td></td> <td></td> <td></td> <td></td> <td></td> <td></td> <td></td> <td>DIP</td> </tr> <tr> <td>1</td> <td>2</td> <td>3</td> <td>4</td> <td>5</td> <td>6</td> <td>7</td> <td>8</td> <td>9</td> <td>10</td> </tr> </table> | ON |   |   |   |   |   |   |     |  | DIP | 1 | 2 | 3 | 4 | 5 | 6 | 7 | 8 | 9 | 10 |
| ON             |   |    |   |   |   |   |   |   | DIP |  |     |   |   |   |   |   |   |   |   |   |    |
| 1              | 2   | 3  | 4 | 5 | 6 | 7 | 8 | 9 | 10  |  |     |   |   |   |   |   |   |   |   |   |    |
| 3571           | <table border="1"> <tr> <td>ON</td> <td></td> <td></td> <td></td> <td></td> <td></td> <td></td> <td></td> <td></td> <td>DIP</td> </tr> <tr> <td>1</td> <td>2</td> <td>3</td> <td>4</td> <td>5</td> <td>6</td> <td>7</td> <td>8</td> <td>9</td> <td>10</td> </tr> </table> | ON |   |   |   |   |   |   |     |  | DIP | 1 | 2 | 3 | 4 | 5 | 6 | 7 | 8 | 9 | 10 |
| ON             |   |    |   |   |   |   |   |   | DIP |  |     |   |   |   |   |   |   |   |   |   |    |
| 1              | 2   | 3  | 4 | 5 | 6 | 7 | 8 | 9 | 10  |  |     |   |   |   |   |   |   |   |   |   |    |
| 3344           | <table border="1"> <tr> <td>ON</td> <td></td> <td></td> <td></td> <td></td> <td></td> <td></td> <td></td> <td></td> <td>DIP</td> </tr> <tr> <td>1</td> <td>2</td> <td>3</td> <td>4</td> <td>5</td> <td>6</td> <td>7</td> <td>8</td> <td>9</td> <td>10</td> </tr> </table> | ON |   |   |   |   |   |   |     |  | DIP | 1 | 2 | 3 | 4 | 5 | 6 | 7 | 8 | 9 | 10 |
| ON             |   |    |   |   |   |   |   |   | DIP |  |     |   |   |   |   |   |   |   |   |   |    |
| 1              | 2   | 3  | 4 | 5 | 6 | 7 | 8 | 9 | 10  |  |     |   |   |   |   |   |   |   |   |   |    |
| 1364           | <table border="1"> <tr> <td>ON</td> <td></td> <td></td> <td></td> <td></td> <td></td> <td></td> <td></td> <td></td> <td>DIP</td> </tr> <tr> <td>1</td> <td>2</td> <td>3</td> <td>4</td> <td>5</td> <td>6</td> <td>7</td> <td>8</td> <td>9</td> <td>10</td> </tr> </table> | ON |   |   |   |   |   |   |     |  | DIP | 1 | 2 | 3 | 4 | 5 | 6 | 7 | 8 | 9 | 10 |
| ON             |   |    |   |   |   |   |   |   | DIP |  |     |   |   |   |   |   |   |   |   |   |    |
| 1              | 2   | 3  | 4 | 5 | 6 | 7 | 8 | 9 | 10  |  |     |   |   |   |   |   |   |   |   |   |    |



3. The table below explains Dip switch 11 and 12.



- The first receiver should always have Off/Off.
- If you the store has two receivers, the second should have On/Off.

Follow the table for all the different set ups.

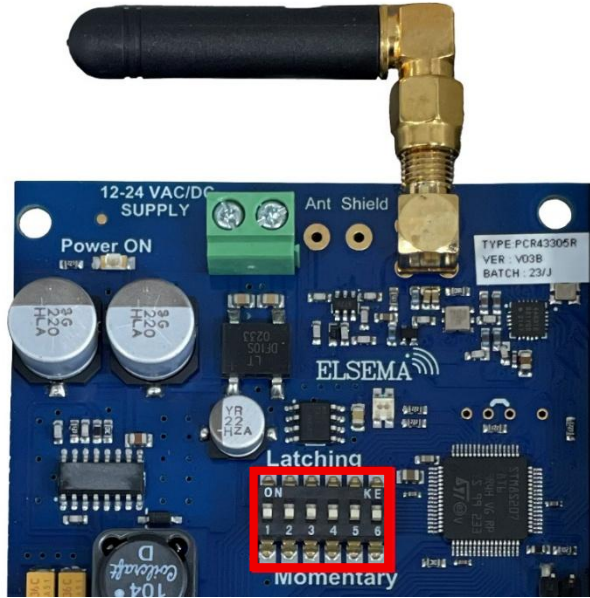
|                   | Receivers Dip Switch 11 | Receiver Dip Switch 12 |
|-------------------|-------------------------|------------------------|
| <b>Receiver 1</b> | Off                     | Off                    |
| <b>Receiver 2</b> | On                      | Off                    |
| <b>Receiver 3</b> | Off                     | On                     |
| <b>Receiver 4</b> | On                      | On                     |



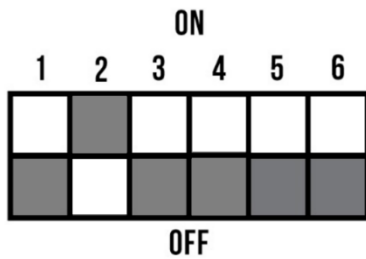
### Set the receiver channels to Latching or Momentary

To configure if the incoming signal on each channel should latch or trigger the channel momentarily you will have to set the DIP switches to the following.

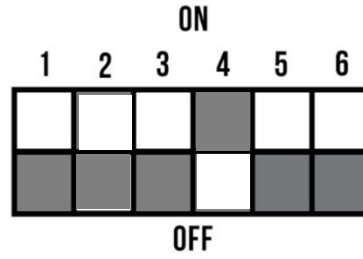
Change Mode Selection on the 6 DIP switches (outlined in red below).  
 Change the DIP switches on each receiver as shown below:



Entry Gate 1



Entry Gate 2



### Pair Remotes

1. Set DIP switches 1-10 in the remote exactly the same as the receiver.  
Dip switch 11 and 12 should always be Off/Off.



2. Insert the battery and test the functions.



## 6. Attach rails to the SigmaGate2

SigmaGate 2 features two designated attachment points for securing rails: both located on the side. Each of these attachment points is equipped with predrilled 1.5 mm holes, facilitating the installation process.

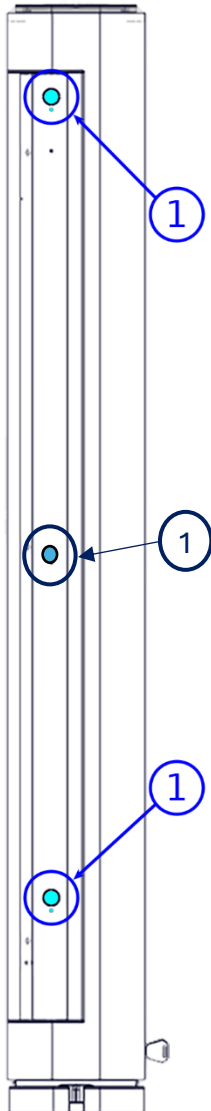


Figure 57 - Lower and upper attachment points for rails



To fasten a rail to SigmaGate 2, follow these steps:

- **Prepare the Rail and SigmaGate 2:** Ensure that all necessary components, such as the rail and connecting cup, and screws are prepared and easily accessible.
- **Cable Management:** If you intend to route cables through the rail, the lower and upper predrilled 1.5 mm holes are accompanied by pre-punched 16.5 mm holes adjacent to them for cable routing. If drilling larger holes, ensure no sharp burrs.
- **Fasten the Cup:** Align the cup with the predrilled 1.5 mm holes for accurate placement. Ensure to pass all cables through the cup before securing it. Use the self-drilling screws provided to fasten the cup.
- **Insert the Rail into the Cup:** Before inserting the rail into the cup, make sure all cables are passed through the cup and the rail.
- **Secure the Rail to the Cup:** Once the rail is inserted to into the cup, secure it within the cup using a 3 mm Allen key for the two screws on the cup. This ensures the rail is firmly attached and stable.
- **Final Inspection:** After all components are assembled, conduct a final inspection to ensure everything is tightly secured and correctly positioned. Confirm that all cables are properly routed and not pinched or strained.

## Final inspection

Upon completing the assembly or maintenance, it's crucial to conduct a thorough final inspection to ensure SigmaGate 2 is ready for operation.

This includes verifying that all components are correctly installed, cables are neatly routed and secured, and there are no loose parts.

The equipment should be clean, and all moving parts should operate smoothly without obstructions.

Test SigmaGate 2 using standard calibration settings to confirm full functionality.

Document the inspection results, noting any issues that were addressed.

Safety checks should confirm adherence to electrical standards and equipment specifications.

This systematic approach ensures reliability, safety, and optimal performance.



## 7. Add MPB locking kit (Optional)

If the SigmaGate 2 has been wired into the fire alarm and the MPB function needs to be disabled, you will need to add a MPB locking kit to both SigmaGate 2 bases.

Do that by following these steps:

1. Place the MPB locking kit in position while SigmaGate 2 is in the closed position.
2. Secure the locking kit using the provided M8 Allen bolt.
3. Ensure the locking kit is properly fastened.

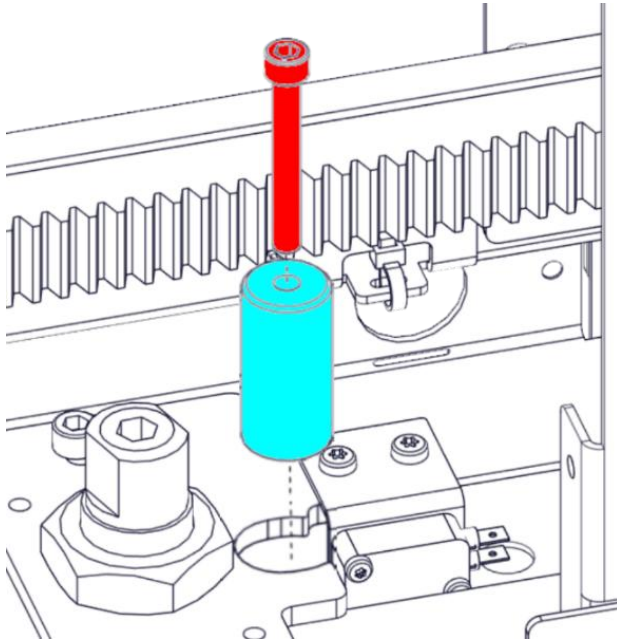


Figure 58 - Positioning the MPB locking kit

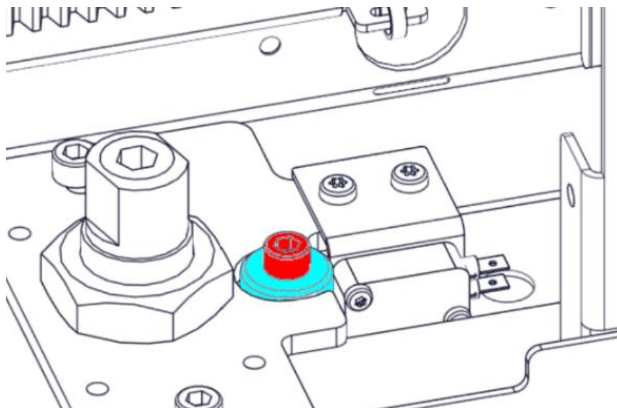


Figure 59 - Installed MPB locking kit



## 8. Handover for digital commissioning of gate

After you have installed the gate as per the previous instructions and powered the gates up, they will get into “setup mode”.

The gate will light up in yellow colour as per the image below.



From this point onward, a Radford Digital Gate Commissioner must complete the gate setup and apply all Woolworths specific configuration settings, including gate arm LED colours, secure timings, delay timings, and other operational parameters that were previously configured on the main circuit board using DIP switches and potentiometers.

These settings can only be accessed and configured through the ITAB Edge Installer application, which is restricted to authorised Radford Digital Gate Commissioners.

### NOTE



The gate needs to be in the setup state with yellow LED light before being handed over or the Radford Digital Gate Commissioners will not be able to finalize the setup.



## 9. Commissioning sign-off checklist

The below checklists must be filled out and reported for each gate commissioned in the store. If any forms aren't applicable or only one gate has been installed, tick the N/A boxes.

| ENTRY GATE 1  |  | ✓<br>Pass | ✗<br>Fail | N/A |
|---|--|-----------|-----------|-----|
| Installer to check that gates are fully operational by ticking the boxes below after installation is completed. |  |           |           |     |
| Record  | Check  |           |           |     |
| PHOTOS  | Show gates and rails from different angles.  |           |           |     |
| PHOTOS  | Gate decals have been applied to the glass panels.   |           |           |     |
| PHOTOS  | Opening between all gates is 1200mm (+/- 10mm) and they must be parallel.                      |           |           |     |
| PHOTOS  | Distance between glass panels at 35mm (+/- 10mm).  |           |           |     |
| PHOTOS  | Show from above, the glass is parallel and not skewed.   |           |           |     |
| PHOTOS  | Gate fixings are > = M8 x 75mm Chemset and tightened.  |           |           |     |
| PHOTOS  | Earth, power and neutral connected to terminal at the top of the gate.                         |           |           |     |
| PHOTOS  | Confirm gates are fitted with an IP56 isolation switch.  |           |           |     |
| PHOTOS  | PEC sensors are aligned. Picture required of all lights (6 sensors per gate set).              |           |           |     |
| PHOTOS  | Dipswitch settings on gate control boards.   |           |           |     |
| PHOTOS  | Gate body is clear of debris (no excess cables, no cable ties etc)                             |           |           |     |
| PHOTOS  | Key-clamp posts and side rail posts fixings are > = 8mm X 60mm.                                |           |           |     |
| PHOTOS  | All key-clamp rail grub screws are flush.  |           |           |     |
| PHOTOS  | Edge board installed on one of the carrier boards of the gate set.                             |           |           |     |
| PHOTOS  | Ethernet cable connected to the carrier board on the same side as the Edge board is installed. |           |           |     |
| PHOTOS  | MPB locking kit has been installed on both gate sides.   |           |           |     |



| <b>ENTRY GATE 2</b>  |  | ✓           | ✗           |            |
|--|--|-------------|-------------|------------|
| <b>Installer to check that gates are fully operational by ticking the boxes below after installation is completed.</b> |  | <b>Pass</b> | <b>Fail</b> | <b>N/A</b> |
| <b>Record</b>  | <b>Check</b>   |             |             |            |
| PHOTOS   | Show gates and rails from different angles.  |             |             |            |
| PHOTOS   | Gate decals have been applied to the glass panels.   |             |             |            |
| PHOTOS   | Opening between all gates is 1200mm (+/- 10mm) and they must be parallel.                      |             |             |            |
| PHOTOS   | Distance between glass panels at 35mm (+/- 10mm).  |             |             |            |
| PHOTOS   | Show from above, the glass is parallel and not skewed.   |             |             |            |
| PHOTOS   | Gate fixings are > = M8 x 75mm Chemset and tightened.  |             |             |            |
| PHOTOS   | Earth, power and neutral connected to terminal at the top of the gate.                         |             |             |            |
| PHOTOS   | Confirm gates are fitted with an IP56 isolation switch.  |             |             |            |
| PHOTOS   | PEC sensors are aligned. Picture required of all lights (6 sensors per gate set).              |             |             |            |
| PHOTOS   | Dipswitch settings on gate control boards.   |             |             |            |
| PHOTOS   | Gate body is clear of debris (no excess cables, no cable ties etc)                             |             |             |            |
| PHOTOS   | Key-clamp posts and side rail posts fixings are > = 8mm X 60mm.                                |             |             |            |
| PHOTOS   | All key-clamp rail grub screws are flush.  |             |             |            |
| PHOTOS   | Edge board installed on one of the carrier boards of the gate set.                             |             |             |            |
| PHOTOS   | Ethernet cable connected to the carrier board on the same side as the Edge board is installed. |             |             |            |
| PHOTOS   | MPB locking kit has been installed on both gate sides.   |             |             |            |



| <b>ENTRY GATE 3</b>  |  | ✓<br>Pass | ✗<br>Fail | N/A |
|--|--|-----------|-----------|-----|
| <b>Installer to check that gates are fully operational by ticking the boxes below after installation is completed.</b> |  |           |           |     |
| <b>Record</b>  | <b>Check</b>   |           |           |     |
| PHOTOS   | Show gates and rails from different angles.  |           |           |     |
| PHOTOS   | Gate decals have been applied to the glass panels.   |           |           |     |
| PHOTOS   | Opening between all gates is 1200mm (+/- 10mm) and they must be parallel.                      |           |           |     |
| PHOTOS   | Distance between glass panels at 35mm (+/- 10mm).  |           |           |     |
| PHOTOS   | Show from above, the glass is parallel and not skewed.   |           |           |     |
| PHOTOS   | Gate fixings are > = M8 x 75mm Chemset and tightened.  |           |           |     |
| PHOTOS   | Earth, power and neutral connected to terminal at the top of the gate.                         |           |           |     |
| PHOTOS   | Confirm gates are fitted with an IP56 isolation switch.  |           |           |     |
| PHOTOS   | PEC sensors are aligned. Picture required of all lights (6 sensors per gate set).              |           |           |     |
| PHOTOS   | Dipswitch settings on gate control boards.   |           |           |     |
| PHOTOS   | Gate body is clear of debris (no excess cables, no cable ties etc)                             |           |           |     |
| PHOTOS   | Key-clamp posts and side rail posts fixings are > = 8mm X 60mm.                                |           |           |     |
| PHOTOS   | All key-clamp rail grub screws are flush.  |           |           |     |
| PHOTOS   | Edge board installed on one of the carrier boards of the gate set.                             |           |           |     |
| PHOTOS   | Ethernet cable connected to the carrier board on the same side as the Edge board is installed. |           |           |     |
| PHOTOS   | MPB locking kit has been installed on both gate sides.   |           |           |     |





## 11. SigmaGate 2 Maintenance

### Periodic maintenance

To maintain satisfactory functionality of the gate under normal environmental and working conditions, maintenance must be carefully performed. The maintenance listed in this document can be carried out by store personnel. All service and repair work should be performed by authorized technicians. Radford recommends scheduling maintenance to ensure high operational reliability and reduce the risk of unnecessary disruptions in the store. Scheduled maintenance involves continuous review, functional testing, and thorough cleaning of the gate.

For questions about, and service or repair of, the gate, contact Radford Retail Solution on [support@radfordretail.com](mailto:support@radfordretail.com).

### Maintenance schedule

| Maintenance   | Daily | Weekly | Monthly |
|---|-------|--------|---------|
| Perform a visual check of the entire gate. Attention should be paid to any physical damage or loosening of the product. Any findings should be reported, and repair work completed. | x     |        |         |
| Check the gate arm movement. If any disturbance in the movement is detected, turn off the motor key switch.   | x     |        |         |
| Check the panic breakout function. If the force does not correspond to the required force or national regulations, adjustment by an authorized technician will be required.         | x     |        |         |
| Check for damages on the gate arms. The arm should be replaced immediately if any cracks or dents are visible.  | x     |        |         |
| Clean all sheet metal surfaces with a damp cloth and, if necessary, water containing a standard detergent. Be careful, as the gate contains electrical components.                  |       |        | x       |
| Clean the gate arms using a soft cloth and soapy water  |       | x      |         |
| Arrange for authorized technicians to check for wearing parts of the gate.  |       |        | x       |

