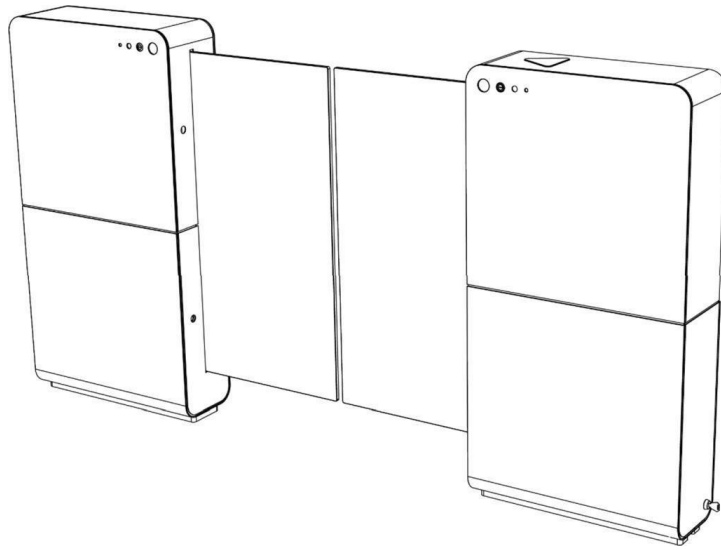


SigmaGate - Entrance

Woolworths SigmaGate
Installation Manual (75mm gap)



Version	Date	Comments	Issued by
1.0	2025-04-11	First version	Alexander Johansson
1.1	2025-12-12	Change standard to postcode for remotes.	Alexander Johansson



Table of Contents

1.	Contact Information	3
2.	Shipment Content with MPB	4
3.	Routing of cables through the floor	5
4.	Mounting of gates (MPB)	6
5.	Securing MPB bracket into position	9
6.	Connection of Power (MPB from floor)	10
7.	Connection of Power to SigmaGate (Fixed bracket).....	11
8.	Connection of GateCOM/Crossover cable/Saloon Cable through MPB junction box	12
9.	Adjustment of Gate PEC	13
10.	Approach Radar installation	14
17.	Adjustment of Glass Door.....	21
18.	Master & Slave Dip Switch Settings.....	22
19.	Master & Slave Potentiometer settings	23
20.	Setting Glass LED to Woolworths Green	24
21.	Remote Installation (Gen 3 Remotes) One Gate triggered by the remote controls.....	25
22.	Remote Installation (Gen 3 Remotes) Two Gates triggered by the remote controls	32
23.	Commissioning sign-off checklist.....	42
24.	Store manager declaration	43
25.	Troubleshooting Schedule	44

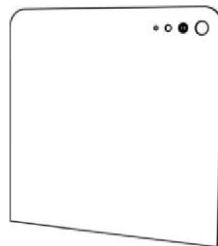
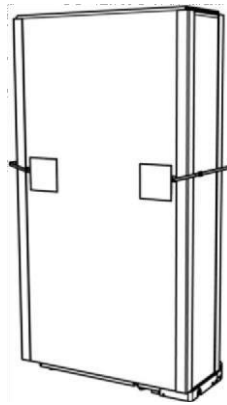
1. Contact Information

Shipping address: Unit 6/ 5-7 Malta St Fairfield East
Ray Casey – 0403 304 600 rc@radfordretail.com
Dominic Casey – 0411 881 904 dc@radfordretail.com
Software support – support@radfordretail.com

2. Shipment Content with MPB

Note

Make sure that the following content is delivered before starting installation. Below content is based on a saloon installation of SigmaGates.



Name:.....

Date:.....

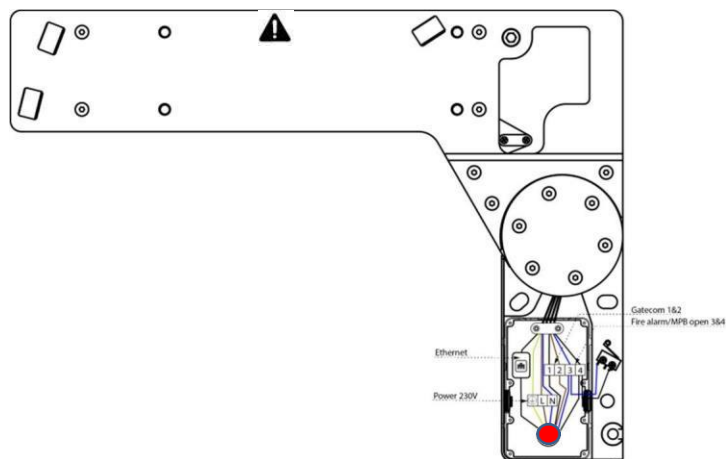
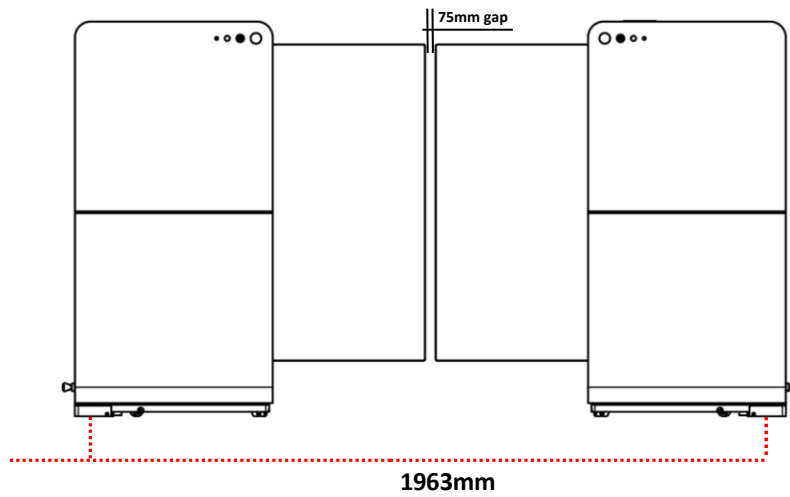
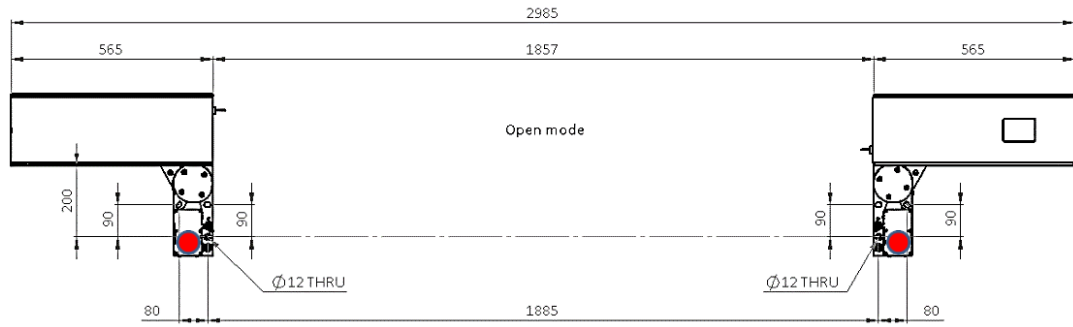
Please sign to confirm all items have arrived and are in good working condition.

2X SigmaGate with MPB (Breakout brackets

2X Left service hatch 2X Right service hatch

2X Key set
Base Plate Lifter
Remotes

3. Routing of cables through the floor



4. Mounting of gates (MPB)

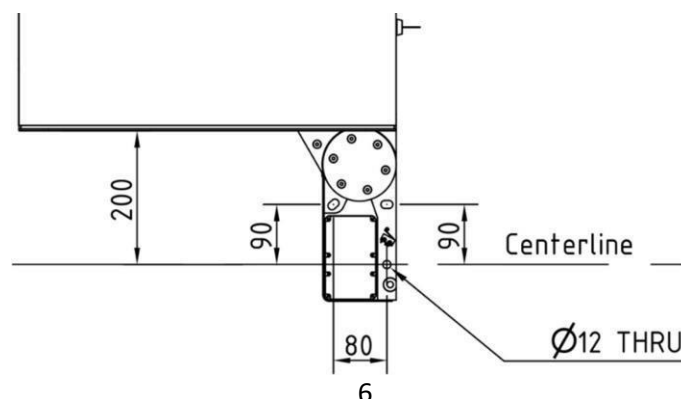
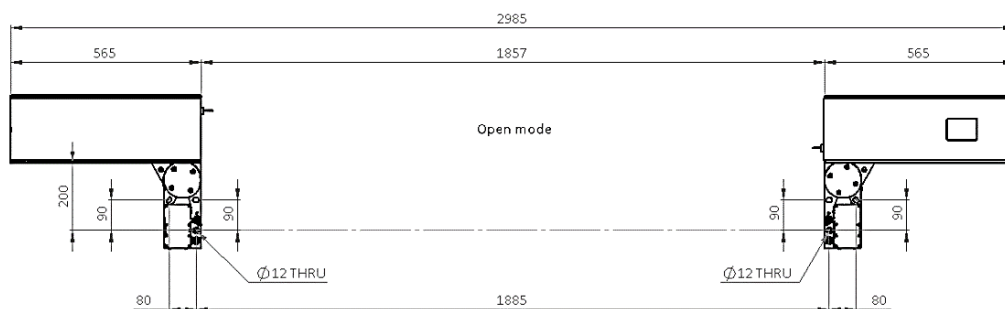
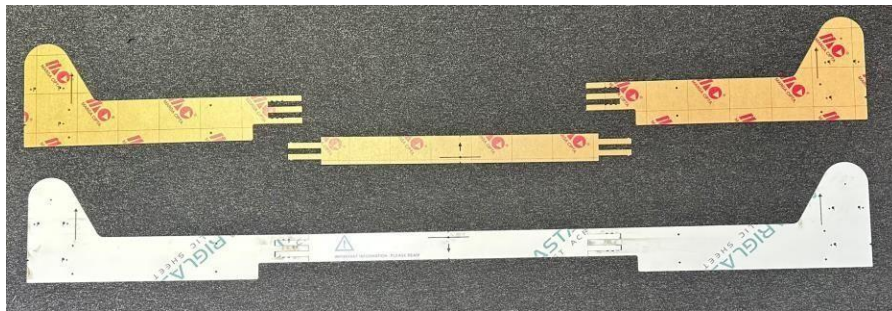
NOTE: See important notes below (item 9) before continuing from here.

1. **Lay our SigmaGate using floor drilling-template provided:** Mark the floor for the three main ground fixings, then mark power and data aperture for floor chasing (including the data cross-over cables) before drilling the three main fixing holes.
Note: both SigmaGate individual units require a 240V power supply chase to them – see below drawing.
2. Mark out the centerline of where the gates will be installed.
3. Mark out two lines perpendicular to the centerline,

c/c 1838 mm. Make sure the lines are placed in the center of the entrance or exit.

4. Use the drilling templates to mark out the six drilling holes.
Note: Make sure to accommodate the extra 45mm due to the increased gap between the glass doors from 30mm to 75mm.
5. Holes must not be bigger than $\varnothing 10$.
6. Make sure the floor is flat. If it is not, use the shims to make it flat.
7. Fix bracket to the floor using appropriate fasteners. The manufacturer recommends fastening the mounting plates to the ground with chemical fixings. Please note that the final responsibility lies with the builder/architect.

Note: The template dimensions need to be increased by 45mm due to Woolworths special requirements.



Important notes on floor assessment for SigmaGates

- a. Before any fixings holes are drilled, it's very important to establish if the ground is level (max floor bowing of 10mm can be accommodated) by installing the base-plate-lifter (BPL) provided with the kit.
- b. For the sake of clarity: it's important to note if a Base Plate Lifter is required it will be most likely required on both gate boxes, otherwise the height of the gate arms may not align.
- c. mark out the total arc of the gate of approx. 1000mm to a 90-degree position from centre of MPB bracket to establish **breakout area** of the individual gate box and check the floor is flat and level. Fit the baseplate lifters as required.
- d. The fourth (smaller and precise fixing hole) front-mounted fixing hole needs to be precisely drilled (drill bit to penetrate Manual Pushout Bracket hole during the drilling process) and only installed **AFTER** all three main fixings have been fully installed into the ground with the SigmaGates **fully aligned and locked** into the ground with Chemset – this provides the best chance of alignment retention thereafter.

(Tip: drill with a slightly smaller drill bit to begin with and then drill with the precise size drill bit)

Disclaimer: The ultimate responsibility as to whether a base plate lifter is required lies solely with the installer.

The base plate lifter is needed:

- If the uneven floor prevents the gate breakout function from fully opening.
- The uneven floor is exerting excessive pressure on the wheel, causing significant marks to form on the floor.

IMPORTANT: The position of the cable penetration from the floor may **differ** if the base plate lifter is used.

The Base plate Lifter Kit Contents

Contents

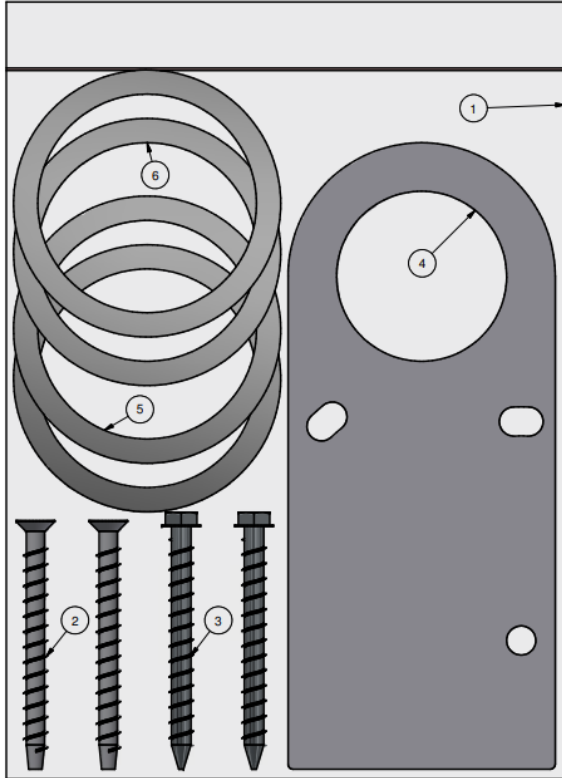
2x 10mm base plate lifter plates(solid)
2x sets of 2.4mm retrofit base plates
2x sets of 4mm retrofit base plates
2x sets of circular shims for bracket
2x locator screws
1x left MPB "L" corner bracket
1x right MPB "L" corner bracket

Notes:

- 1) It is extremely important to note that if you have assessed that a lifting bracket may be required, that there has been sufficient allowance of thread left for the gates to be bolted onto.
- 2) If this kit is being used for a return visit to site for any reason, it will need to be assessed if the use of this kit will result in gate relocation due to the lack of thread left on the floor fixings. (As noted above)
- 3) It is also very important that the floor is tiled underneath the gates and that the floor is of sound structural integrity.
- 4) When using the lifter plates start with the smallest thickness first and reassess if a thicker plate is required.

Shims, base plate lifter and fixings kit

Please note that the inclusion of shims is part of the BOM which can be used to pickup any play within the MPB swivel assembly.



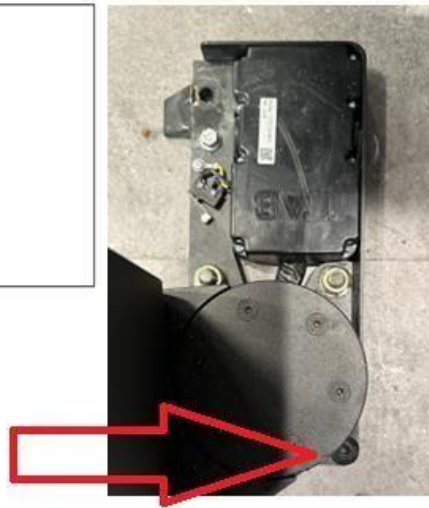
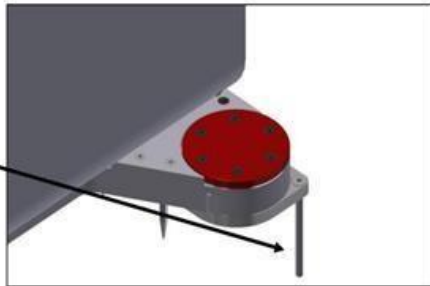
6	2	Sliding washer Ø110xØ90x0.2 DIN988			12668-80	
5	2	Sliding washer Ø110xØ90x0.1 DIN988			12666-80	
4	1	Sigma drilling template outer			12650-81	
3	2	Concrete screw 8X100			090031	
2	2	Concrete screw FFS 7.5x102		SPAX PAN HEAD ZP POZ	090030	
1	1	Grip-seal polybag 230x320mm		Plasticbag with zip-lock	030109	
Item	Qty	Title	Specification	Part number		
View orientation	Drawer	Sheet	Where no tolerance is specified:	Scale	Cut length	
	stekar1	1 (1)	SS-ISO 2768-m	1 : 1,5	Compare	
ITAB		Accessory kit			Weight	Date
ITAB Shop Products AB		MPB			2,06 kg	2023-11-03
				Drawing.no.	Rev.	
				090111		

5. Securing MPB bracket into position

NOTE: It is very important to ensure base plates sits above floor tile level.

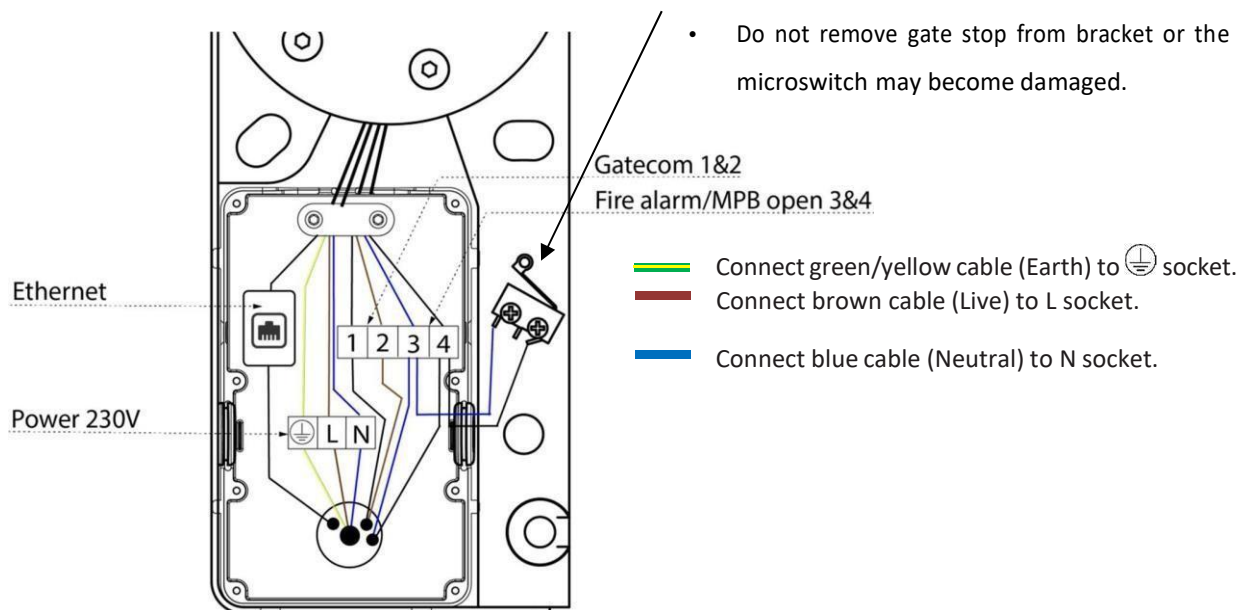
Two of the four holes for fastening the MPB block to the floor are made larger to allow adjustment when installing the gates. If the fasteners are not holding the MPB block strong enough to the floor, the gate position can be incorrect leading to interrupted photocell signals and faulty behavior of the gates. To prevent this, the two larger holes can be filled with chemical anchoring to lock the position after making sure the gates are in line with each other.

Use countersunk concrete screw supplied for the fourth fixing.



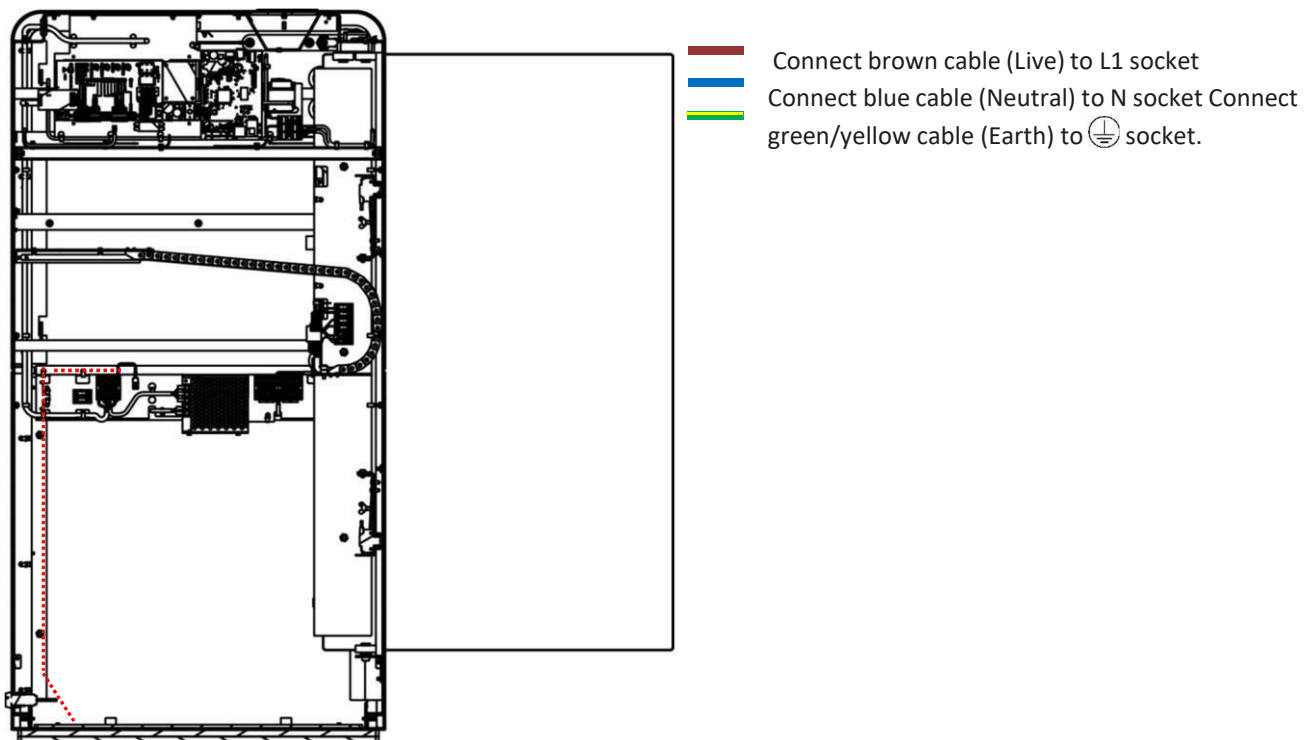
6. Connection of Power (MPB from floor)

- Connect earth, live/phase and neutral cables to the connection terminal according to the markings on the terminal.
- Do not remove gate stop from bracket or the microswitch may become damaged.



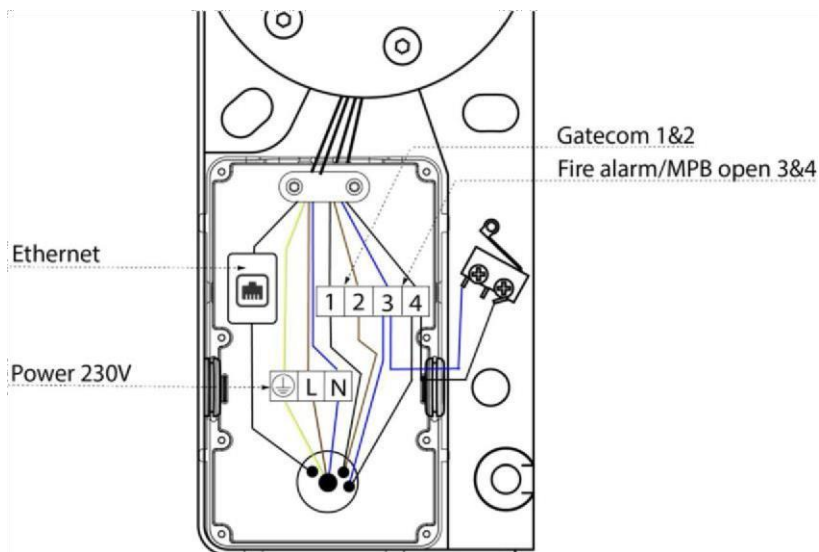
7. Connection of Power to SigmaGate (Fixed bracket)

1. Pull the 230V cable through the cable ties in the lower corner of the gate. Tighten the cable ties.
2. Do not store any excess cables or ties inside the gate.
3. Adjust the cable length.
4. Connect earth, phase and neutral cables to the connection terminal according to the markings on the terminal.
5. Fasten the cable to the strain relief.

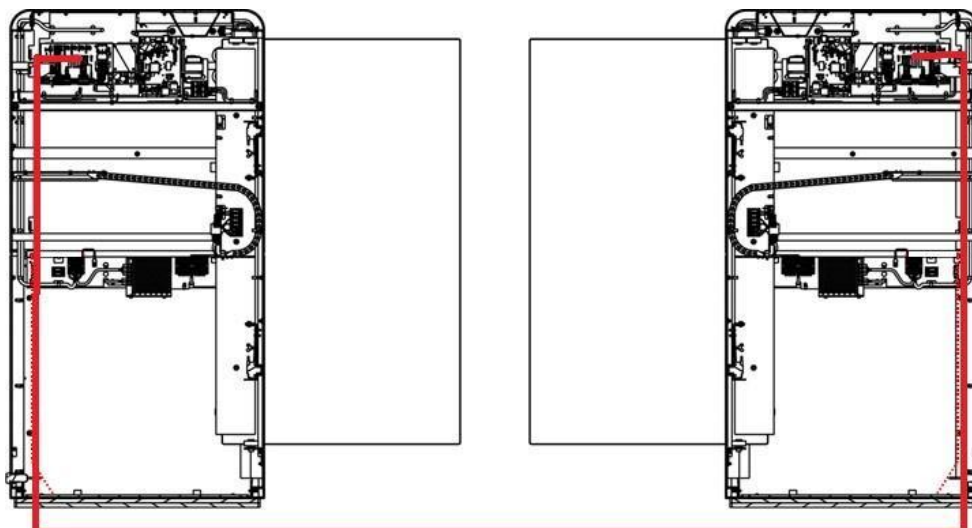


8. Connection of GateCOM/Crossover cable/Saloon Cable through MPB junction box

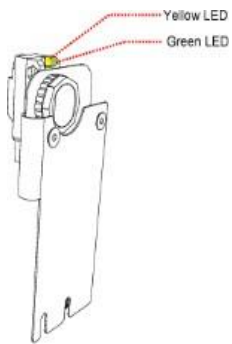
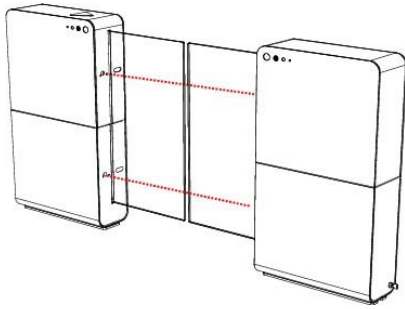
- Connect ground to socket marked 1.
- Connect signal to socket marked 2.
- Route the cable to the other gate via the floor chase and terminate at the opposing gates junction box using the same method
- This completes the loop between the main PCB boards and can now be tested using the test button on the main PCB board
- **Check operation of GateCOM** before connecting data cables using test switch on the SigmaGate main PCB



Example of the full connection that the above process creates.



9. Adjustment of Gate PEC



Make sure the two photoelectric cells (PEC) are pointing at the reflectors on the other gate.

Adjust by using 2mm Allen keys through holes next to PEC sensor on outside of gate.

Step 1

Turn Allen key all the way LEFT until yellow connection light turns off.

Step2

Turn Allen key all the way RIGHT until yellow connection light turns off, counting the amount of turns in between.

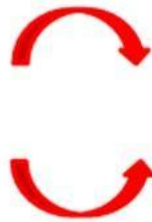
Step3

Wind Allen key back to mid position.

EG. If it takes 6 full turns from left position to right position, then turn back 3 full turns.

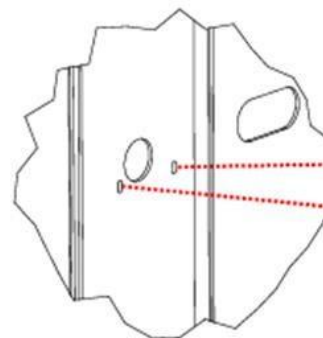
IMPORTANT NOTE:

This must be done in both vertical and horizontal directions.



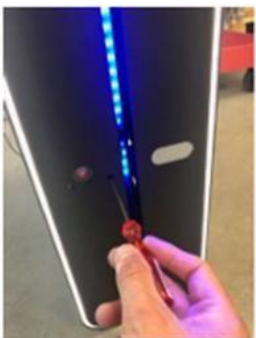
PEC down

PEC up



Horizontal adjustment

Vertical adjustment



PEC to right

PEC to left

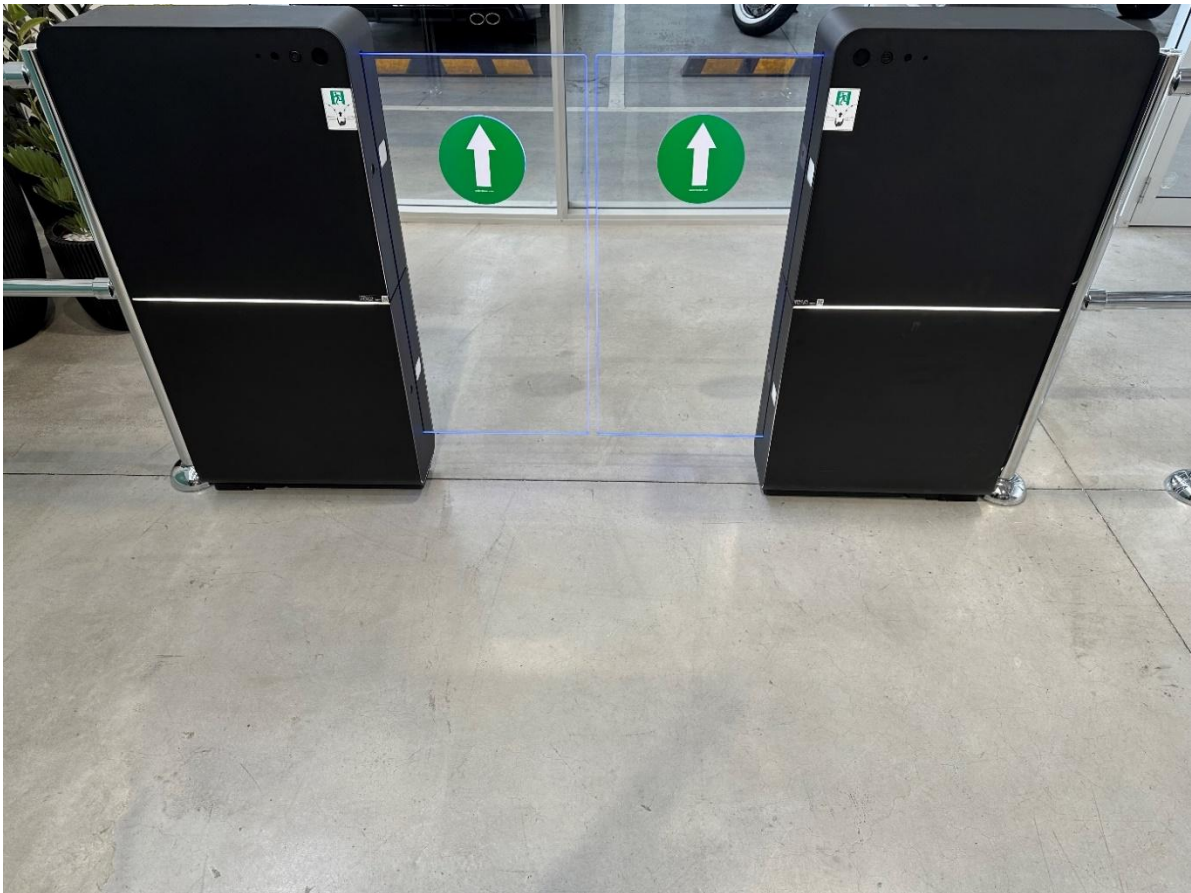
To adjust the PEC, use Allen key 2.5 mm.

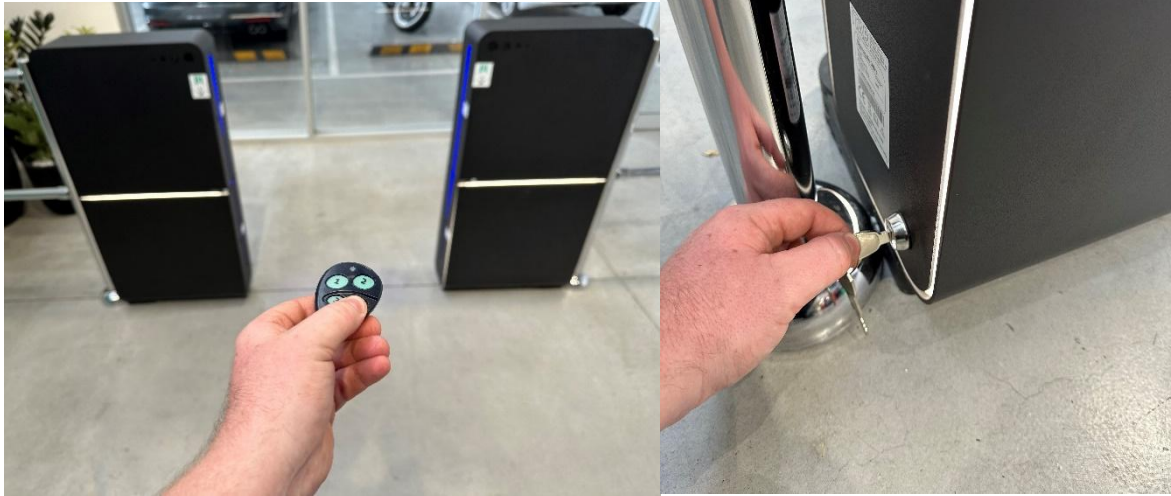
10. Approach Radar installation

Needed for installation:

- Variety of screw drivers will be required for installation and configuring the approach radars.
- Cable ties
- Nipper

1. Find the SigmaGates and make sure you are installing the radars facing the customers as they are about to walk through the gates.

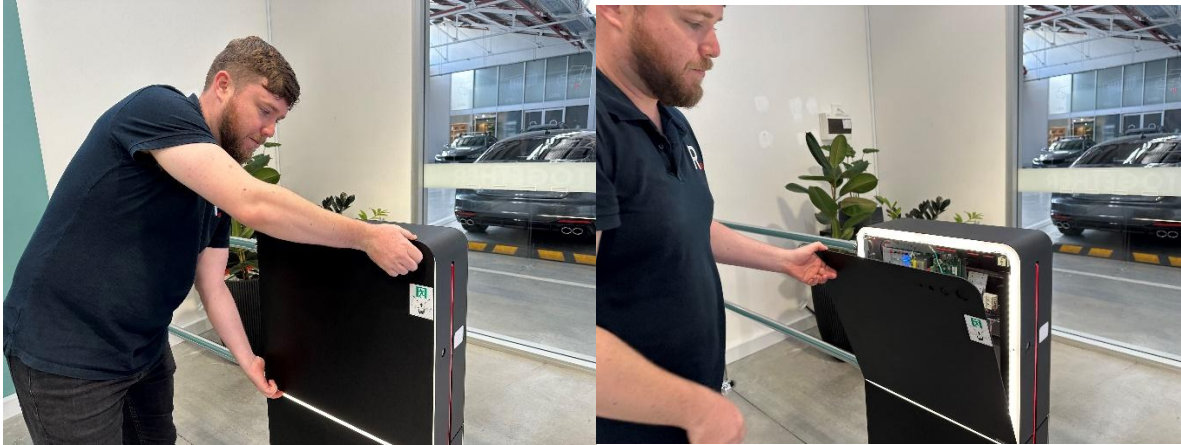




2. Open SigmaGates using the remote and then turn gate off by turning the key to the vertical position or cut the power to the gate.
3. Unlock Service hatch by using a flat head screwdriver to turn the lock into the vertical position.



4. Lift service hatch up and away from the SigmaGate.

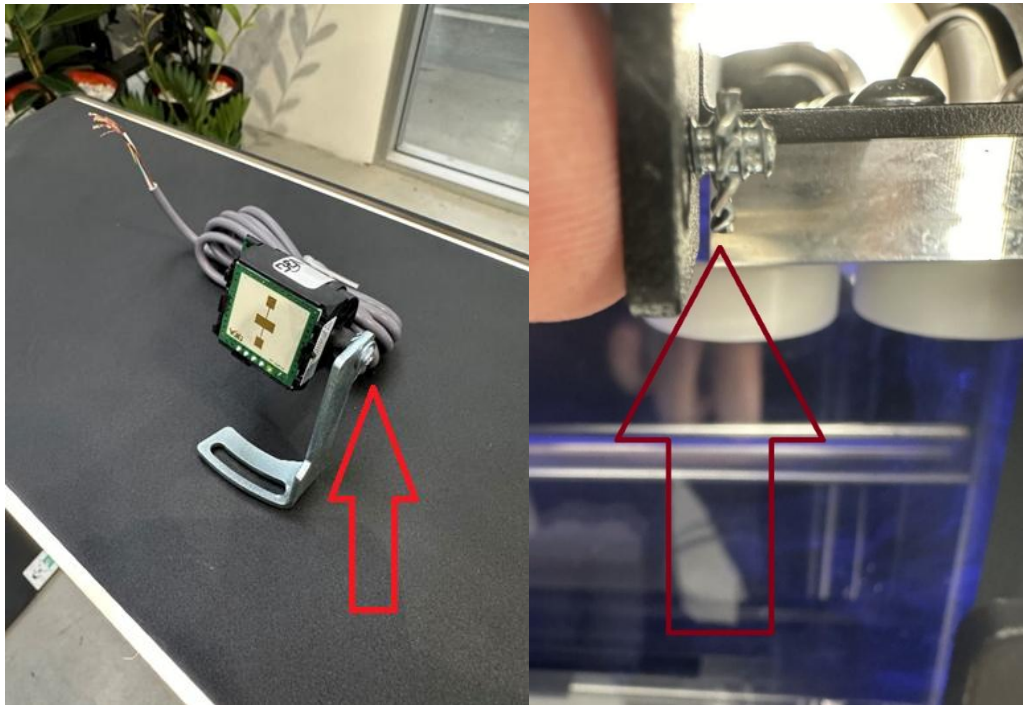


5. Disconnect the earth cable from service hatch.



6. Disconnect the power to the gate sides.

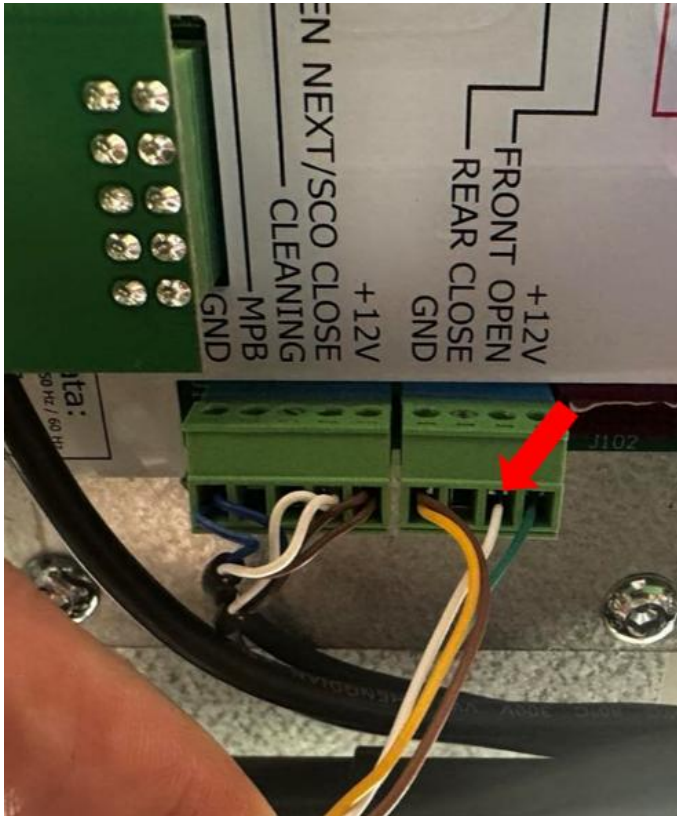
NOTE: Make sure you do not restart the ScanMaster or powering off and on the gate to often since this can damage the SD-card. Recommendation is to power off gates, leave them like that and power on again once installation is done and avoid restarting the ScanMaster using the button on the PCB.



7. Remove the screw from the bracket and discard the bracket if supplied. Use the bracket screw and washer to mount the customer facing radar to in the corner of the SigmaGate with the washer between the mounting plate and radar **THIS IS IMPORTANT!** so that the radar does not slip after install.
8. It is also particularly important when tightening the screw that the radar is tilting downwards. This is to make sure that the radar picks up all customers.



9. Connect the radar according to the picture.



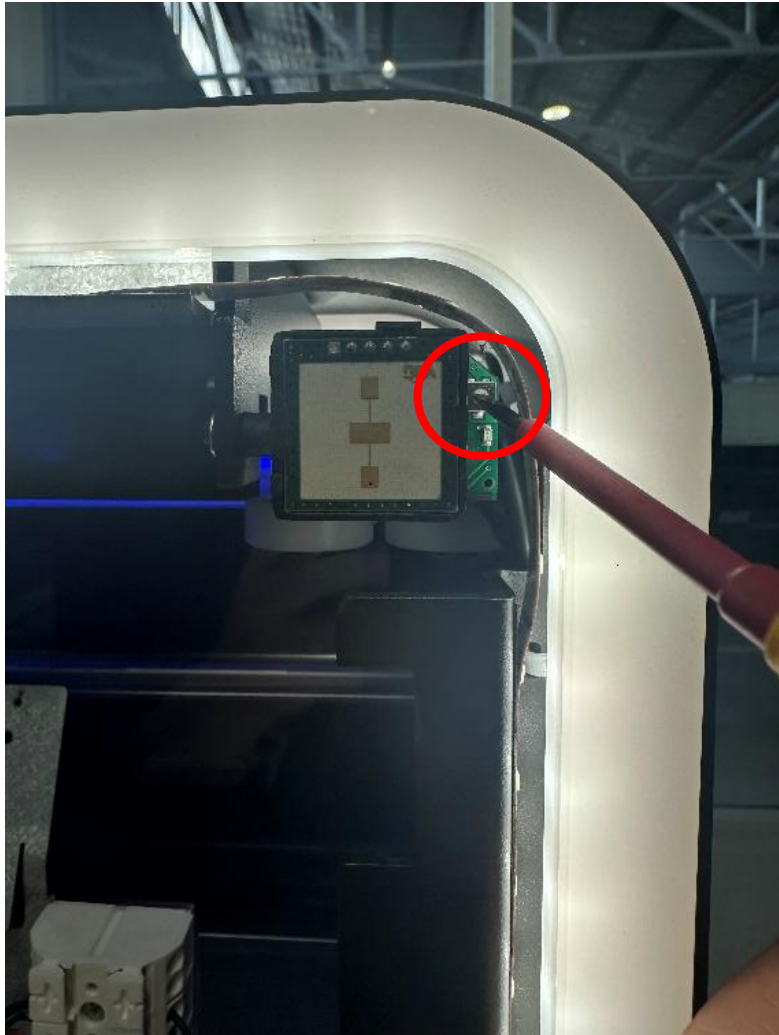
+12v = Green wire
GND = Brown and Yellow wires
FRONT OPEN = White wire

10. Adjust the potentiometer on the side of the radar as shown in the image below left to set the detection range. The radars red LED will illuminate when a customer is detected as shown in the image below right.

Maximum sensitivity: Potentiometer turned all the way clockwise.

Minimum sensitivity: Potentiometer turned all way anticlockwise.

NOTE: The tuning of the radar will be the same no matter if it got the dial on the right or left side of the radar.





11. Set radar distance to **2000mm** with the cover on using a measuring tape and the red LED indicator light to show that it is detecting customers.

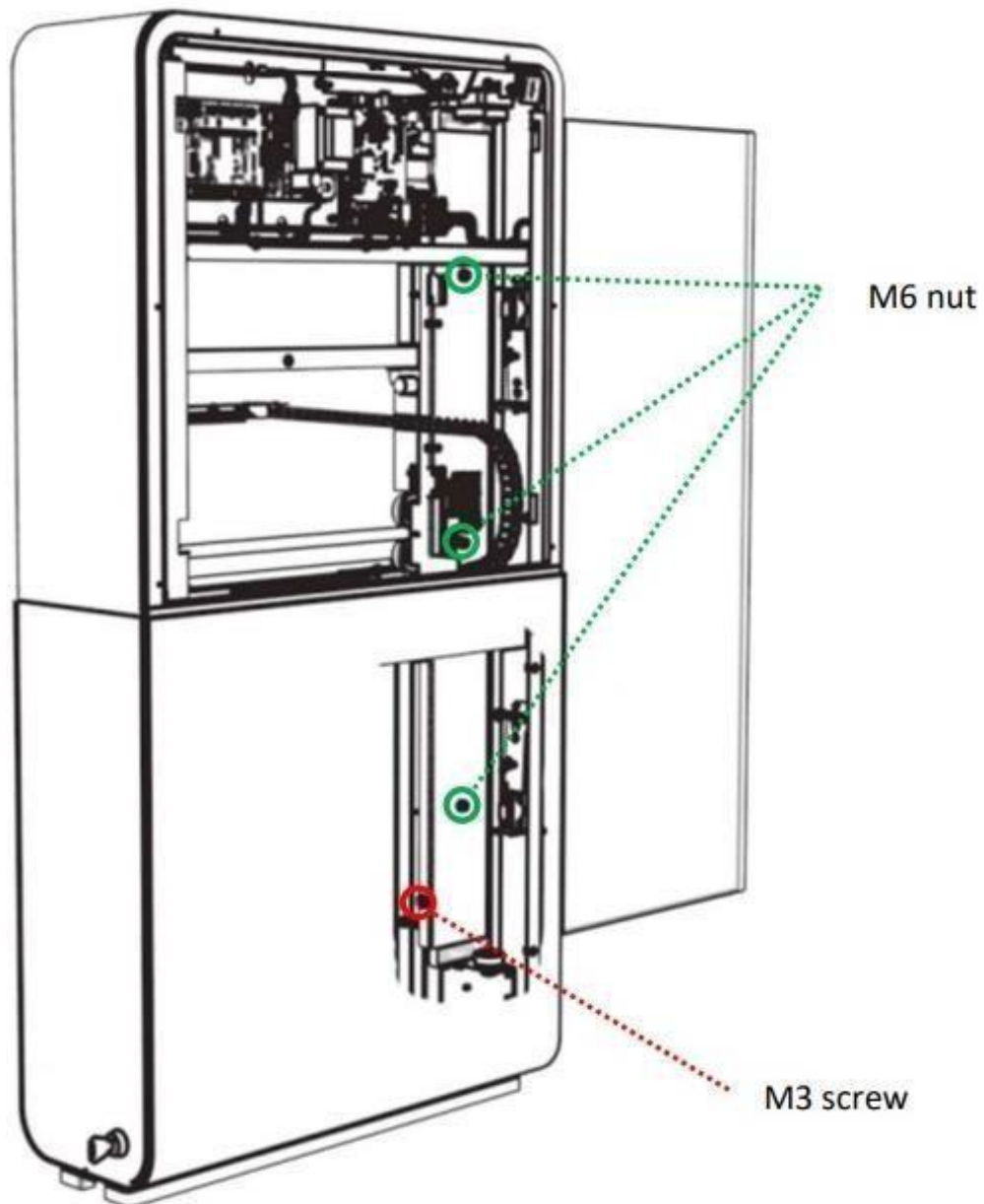
NOTE: When evaluating the distance with the cover on the trigger distance will slightly decrease. Also make sure there is nothing around the entrance that triggers the gate to open.

12. Close up the SigmaGate by doing the inverse of the opening procedure.
 - Place service hatch on gate
 - Connect earth cable
 - Close service hatch
 - Close lock by using a flat head screwdriver turning it into the horizontal position
 - Power up the gate again.
 - Return gate functionality by using the remote.

17. Adjustment of Glass Door

If the glass doors need to be adjusted an adjustment screw (Allen screw M3) located on the lower section of the glass door can be adjusted (marked in red).

Before adjustment, three M6 nuts need to be loosened (marked in green).

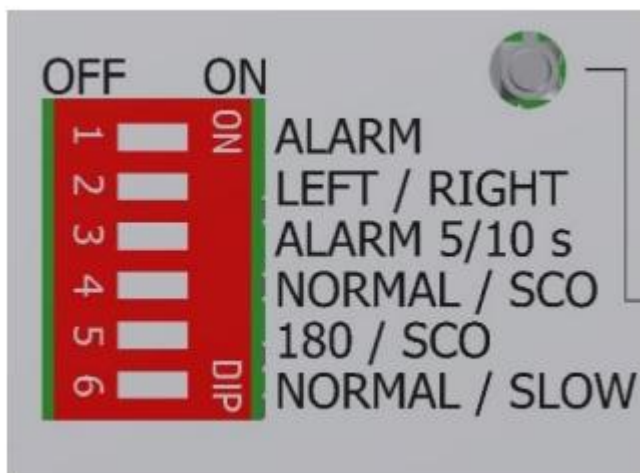


NOTE: After adjustment, make sure to tighten the M6 nut.

18. Master & Slave Dip Switch Settings

The purpose of the Master and Slave function is to make it easier to set the timer functions on the main board.

In a saloon configuration the right-hand gate (in the direction of the customers' travel) is ALWAYS the Master.







LEFT GATE

1. ALARM = Right
2. LEFT/RIGHT = Left
3. ALARM 5/10s = Left
4. NORMAL/SCO = Left
5. WRONG WAY = Left
6. N/A = Left

RIGHT GATE

1. ALARM = Right
2. LEFT/RIGHT = Right
3. ALARM 5/10s = Left
4. NORMAL/SCO = Left
5. WRONG WAY = Left
6. N/A = Left

19. Master & Slave Potentiometer settings

1.  **DELAY:** This sets the amount of time the gates will stay open after a customer has left through the gates and broken the PEC sensor beam. Range 0-8 seconds.
Note: This timer will override the securetimer.
2.  **WRONG WAY:** This timer is used to detect movement through the gates in the wrong direction. Please set to full right to avoid picking up a customer's swinging arm. Range 0.1-2 seconds
3.  **SECURE:** This timer will keep the gates open until the customer has passed through the gates. Once the customers pass through the gates this timer gets override by the DELAY timer. Range 0-30 seconds
4.  **PANIC FORCE:** This dial sets the force required to slide the glass arm back into the body of the SigmaGate

LEFT GATE (left gate when exiting through the gate)

1. Set DELAY, WRONG WAY, SECURE on the left-hand gate to maximum/clockwise. (100%)
2. Set PANIC FORCE to minimum/anticlockwise (0%)

RIGHT GATE (right gate when exiting through the gate)

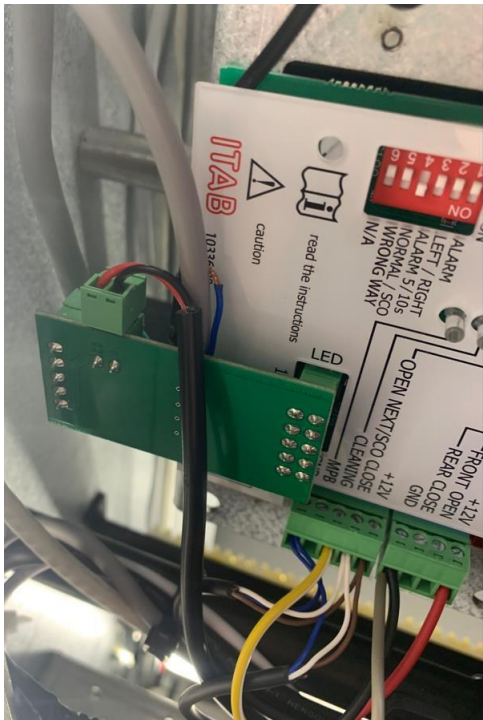
1. Set DELAY to 20% (2 seconds).
2. Set WRONG WAY to maximum/ fully clockwise. (100%) (2 Seconds)
3. Set SECURE to minimum. (0%)
4. Set PANIC FORCE to minimum/ fully anticlockwise. (0%)

Hint = turn all the way left (0%) then all the way right (100%) to work out where 50% is.

Note: For the Master and Slave function to be operational the gate configuration must be connected with GateCOM crossover cable (Saloon) to the opposing gate *See page 12.

20. Setting Glass LED to Woolworths Green

The LED on the glass door should be set to Green by opening the gate and removing the LED chip from the LED connector on the main PCB board. Here you will have to remove the blue cable from pin 2 and use a small wire to bridge pins 2 and 4. This will make the glass glow Woolworths green whilst static and during opening. The gate will flash red whilst closing and while in al



21. Remote Installation (Gen 3 Remotes) One Gate triggered by the remote controls

The following instructions will explain how to install a remote receiver inside a Sigma gate and how to set up the remote's functions if there is only one gate in the store controlled by the remote controls.

NOTE: If the store has 2 gates that will be controlled by the same remote controls, go to chapter “Remote Installation (Gen 3 Remotes) 2 Gates triggered by one remote control” on page 32 in this manual.

Button 1 - will be programmed to activate 'Auto Close' on Gate 1.



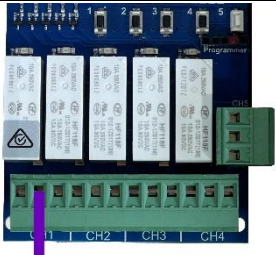

Button 2 - will be programmed to activate 'Cleaning Mode (permanent open mode)' on Gate 1.

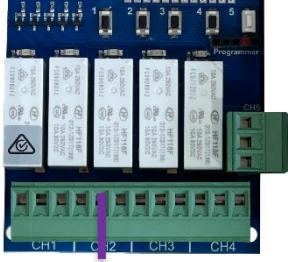

Button 3 – will not be used.

Button 4 – will not be used.

Note: The remote-control receiver must be installed on the same gate side as the ScanMaster or the latched/cleaning signal will not be detected by the ScanMaster.

1. Wire the Receiver to Sigma Gate Control Board

Receiver	Sigma Gate Control Board
<p>Supply +</p> 	<p>12V</p>
<p>Supply –</p> 	<p>Ground</p>
<p>Ch1 NO</p> 	<p>Front Open</p>
<p>Ch1 C</p> 	<p>Ground</p>

<p>Ch2 NO</p> 	<h1>Cleaning</h1>
<p>Ch2 C</p> 	<h1>Ground</h1>

Connecting Power

1. Open the Sigma gate panel.
2. Connect **Supply +** to **12v** on the Sigma control board.
3. Connect **Supply -** to **Ground** on the Sigma control board.

Relay 1 (Auto-Close)

1. Connect **Ch1 NO** to **Front Open** on the Sigma control board.
2. Connect **Ch1 C** to **Ground** on the Sigma control board.

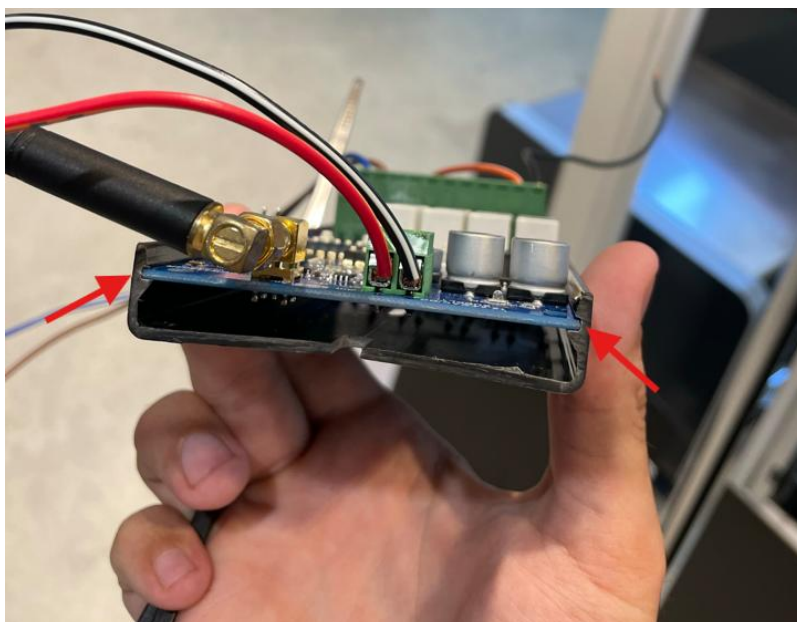
Relay 2 (Latched/Cleaning Mode)

1. Connect **Ch2 NO** to **Cleaning** on the Sigma control board.
2. Connect **Ch2 C** to **Ground** on the Sigma control board.

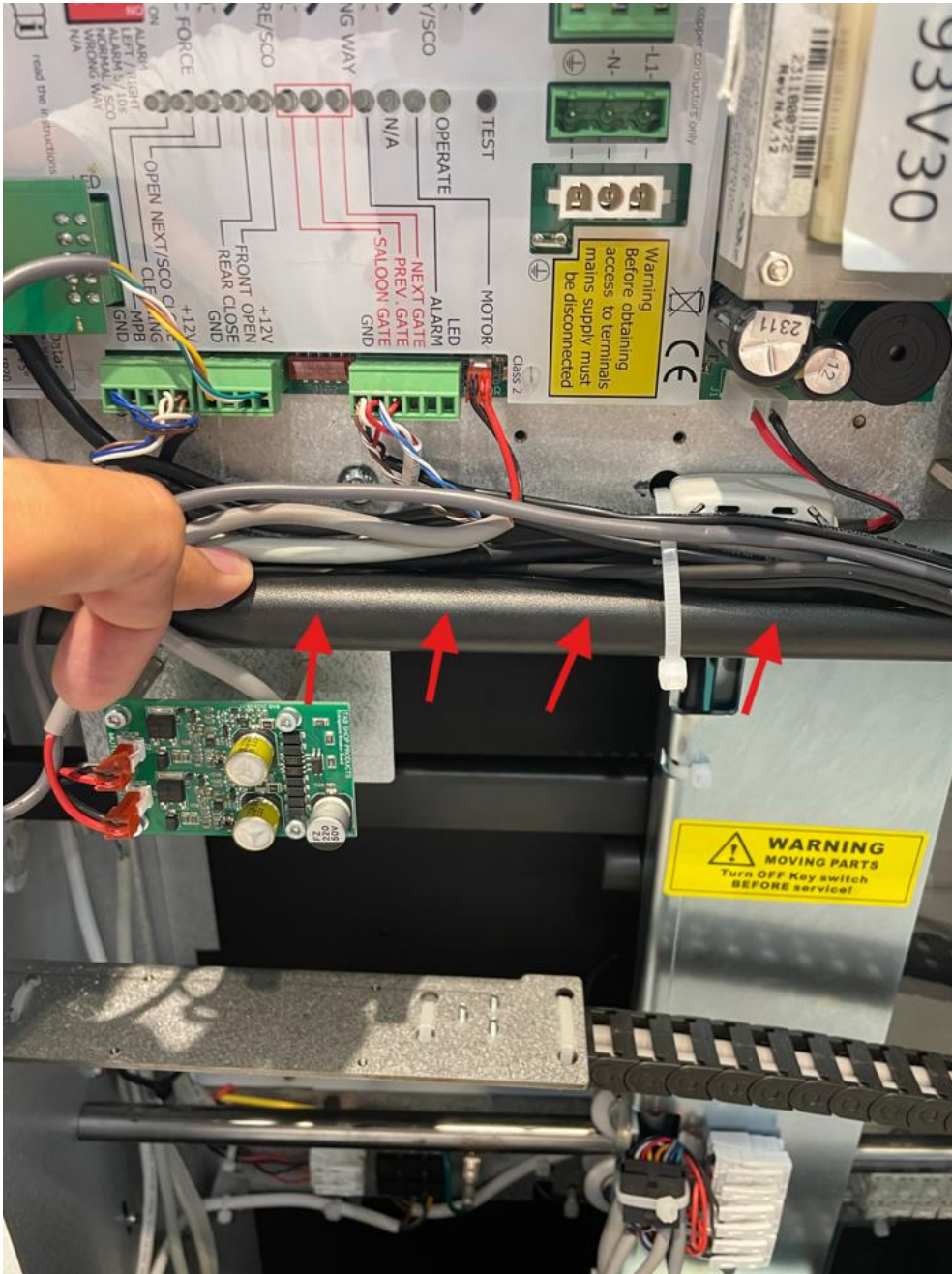
2. Mount the receiver

Note: The remote-control receiver must be installed on the same gate side as the ScanMaster or the latched/cleaning signal will not be detected by the ScanMaster.

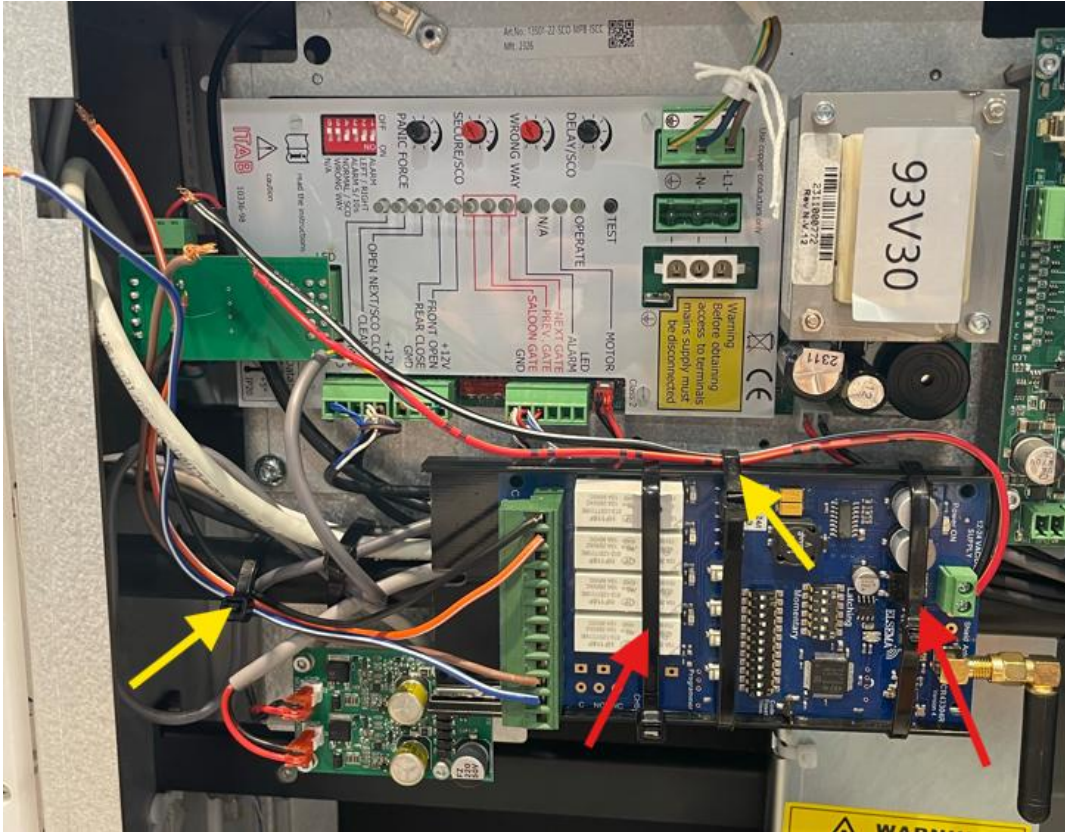
Fit the receiver into the plastic bracket. Fit it into the trace, see second picture.



Remove cables from rail (creates extra space, otherwise the receiver can hit the cover when putting it back). *Please note, if you don't have the plastic bracket, don't remove the cables. The cables will protect getting metal against metal.

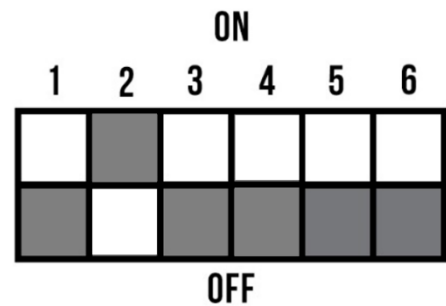


Let the bottom left corner "rest" on the screw to make it more stable (see second picture). Secure the receiver with two cable ties (red arrows). Securing cables with two cable ties (yellow arrows).

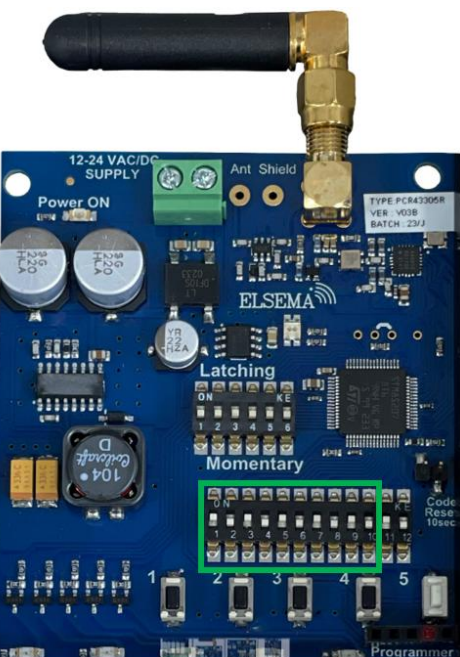


3. Set the DIP Switches & Pair Remotes

1. Change Mode Selection on 6 DIP switches (outlined in red below) to OFF ON OFF OFF OFF OFF or Down Up Down Down Down Down.



2. On the receiver, set switches 1-10 (outlined in green below) to match the store's postcode using the examples in the table below. As an example, if the store has a number 8 in the postcode set DIP switch 8 to the ON/Up position and ignore any zeros in the postcode. If the postcode has the same number more than once like 8888 only switch 8 must be set to ON/Up and rest will be OFF/Down.



Store postcode	DIP Switches 1-10																				
0043	<table border="1"> <tr> <td style="background-color: white;">ON</td> <td style="background-color: white;"></td> <td style="background-color: white;"></td> <td style="background-color: white;"></td> <td style="background-color: white;"></td> <td style="background-color: white;"></td> <td style="background-color: white;"></td> <td style="background-color: white;"></td> <td style="background-color: white;"></td> <td style="background-color: white;">DIP</td> </tr> <tr> <td>1</td> <td>2</td> <td>3</td> <td>4</td> <td>5</td> <td>6</td> <td>7</td> <td>8</td> <td>9</td> <td>10</td> </tr> </table>	ON									DIP	1	2	3	4	5	6	7	8	9	10
ON									DIP												
1	2	3	4	5	6	7	8	9	10												
0333	<table border="1"> <tr> <td style="background-color: white;">ON</td> <td style="background-color: white;"></td> <td style="background-color: white;"></td> <td style="background-color: white;"></td> <td style="background-color: white;"></td> <td style="background-color: white;"></td> <td style="background-color: white;"></td> <td style="background-color: white;"></td> <td style="background-color: white;"></td> <td style="background-color: white;">DIP</td> </tr> <tr> <td>1</td> <td>2</td> <td>3</td> <td>4</td> <td>5</td> <td>6</td> <td>7</td> <td>8</td> <td>9</td> <td>10</td> </tr> </table>	ON									DIP	1	2	3	4	5	6	7	8	9	10
ON									DIP												
1	2	3	4	5	6	7	8	9	10												
3571	<table border="1"> <tr> <td style="background-color: white;">ON</td> <td style="background-color: white;"></td> <td style="background-color: white;"></td> <td style="background-color: white;"></td> <td style="background-color: white;"></td> <td style="background-color: white;"></td> <td style="background-color: white;"></td> <td style="background-color: white;"></td> <td style="background-color: white;"></td> <td style="background-color: white;">DIP</td> </tr> <tr> <td>1</td> <td>2</td> <td>3</td> <td>4</td> <td>5</td> <td>6</td> <td>7</td> <td>8</td> <td>9</td> <td>10</td> </tr> </table>	ON									DIP	1	2	3	4	5	6	7	8	9	10
ON									DIP												
1	2	3	4	5	6	7	8	9	10												
3344	<table border="1"> <tr> <td style="background-color: white;">ON</td> <td style="background-color: white;"></td> <td style="background-color: white;"></td> <td style="background-color: white;"></td> <td style="background-color: white;"></td> <td style="background-color: white;"></td> <td style="background-color: white;"></td> <td style="background-color: white;"></td> <td style="background-color: white;"></td> <td style="background-color: white;">DIP</td> </tr> <tr> <td>1</td> <td>2</td> <td>3</td> <td>4</td> <td>5</td> <td>6</td> <td>7</td> <td>8</td> <td>9</td> <td>10</td> </tr> </table>	ON									DIP	1	2	3	4	5	6	7	8	9	10
ON									DIP												
1	2	3	4	5	6	7	8	9	10												
1364	<table border="1"> <tr> <td style="background-color: white;">ON</td> <td style="background-color: white;"></td> <td style="background-color: white;"></td> <td style="background-color: white;"></td> <td style="background-color: white;"></td> <td style="background-color: white;"></td> <td style="background-color: white;"></td> <td style="background-color: white;"></td> <td style="background-color: white;"></td> <td style="background-color: white;">DIP</td> </tr> <tr> <td>1</td> <td>2</td> <td>3</td> <td>4</td> <td>5</td> <td>6</td> <td>7</td> <td>8</td> <td>9</td> <td>10</td> </tr> </table>	ON									DIP	1	2	3	4	5	6	7	8	9	10
ON									DIP												
1	2	3	4	5	6	7	8	9	10												

- The table below explains Dip switch 11 and 12. The first receiver should always have Off/Off. If you the store has two receivers. The first should have Off/Off and the second should have On/Off. Follow the table for all the different set ups.

	Receivers Dip Switch 11	Receiver Dip Switch 12
Receiver 1	Off	Off
Receiver 2	On	Off
Receiver 3	Off	On
Receiver 4	On	On



- Set DIP switches 1-10 in the remote exactly the same as the receiver. Dip switch 11 and 12 should always be Off/Off.



- Lastly, insert the battery and test the functions.



22. Remote Installation (Gen 3 Remotes) Two Gates triggered by the remote controls

The following instructions will explain how to install a remote receiver inside a Sigma gate and how to set up the remote's functions if there are only two gates in the store controlled by the remote controls.

Button 1 - will be programmed to activate 'Auto Close' on Gate 1.

Button 2 - will be programmed to activate 'Cleaning Mode (permanent open mode)' on Gate 1.



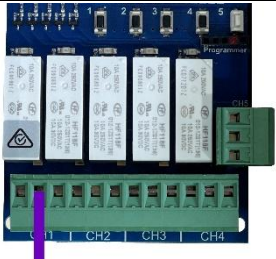

Button 3 - will be programmed to activate 'Auto Close' on Gate 2.

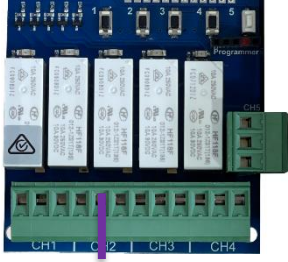

Button 4 - will be programmed to activate 'Cleaning Mode (permanent open mode)' on Gate 2.

Note: The remote-control receivers must be installed on the same gate side as the ScanMaster, or the latched/cleaning signal will not be detected by the ScanMaster. (Needs to be done at both Gate 1 and 2)

1. Wire the Receivers to the two Sigma Gates Control Board

GATE1

Receiver	Sigma Gate Control Board
Supply + 	12V
Supply - 	Ground
Ch1 NO 	Front Open
Ch1 C 	Ground

<p>Ch2 NO</p> 	<h1>Cleaning</h1>
<p>Ch2 C</p> 	<h1>Ground</h1>

Connecting Power

1. Open the Sigma gate panel.
2. Connect **Supply +** to **12v** on the Sigma control board.
3. Connect **Supply -** to **Ground** on the Sigma control board.



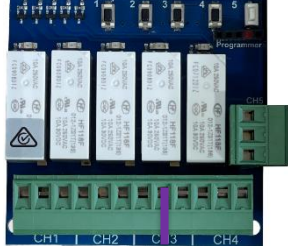



Relay 1 (Auto-Close)

1. Connect **Ch1 NO** to **Front Open** on the Sigma control board.
2. Connect **Ch1 C** to **Ground** on the Sigma control board.

Relay 2 (Latched/Cleaning Mode)

1. Connect **Ch2 NO** to **Cleaning** on the Sigma control board.
2. Connect **Ch2 C** to **Ground** on the Sigma control board.

GATE2

Receiver	Sigma Gate Control Board
<p>Supply +</p> 	<p>12V</p>
<p>Supply -</p> 	<p>Ground</p>
<p>Ch3 NO</p> 	<p>Front Open</p>
<p>Ch3 C</p> 	<p>Ground</p>
<p>Ch4 NO</p> 	<p>Cleaning</p>
<p>Ch4 C</p> 	<p>Ground</p>

Connecting Power

1. Open the Sigma gate panel.
2. Connect **Supply +** to **12v** on the Sigma control board.
3. Connect **Supply -** to **Ground** on the Sigma control board.

Relay 3 (Auto-Close)

1. Connect **Ch3 NO** to **Front Open** on the Sigma control board.
2. Connect **Ch3 C** to **Ground** on the Sigma control board.

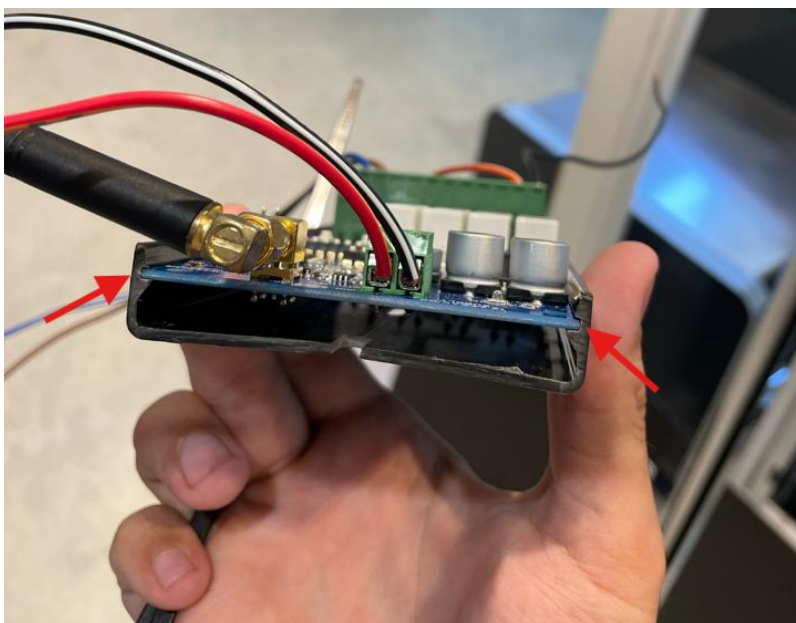
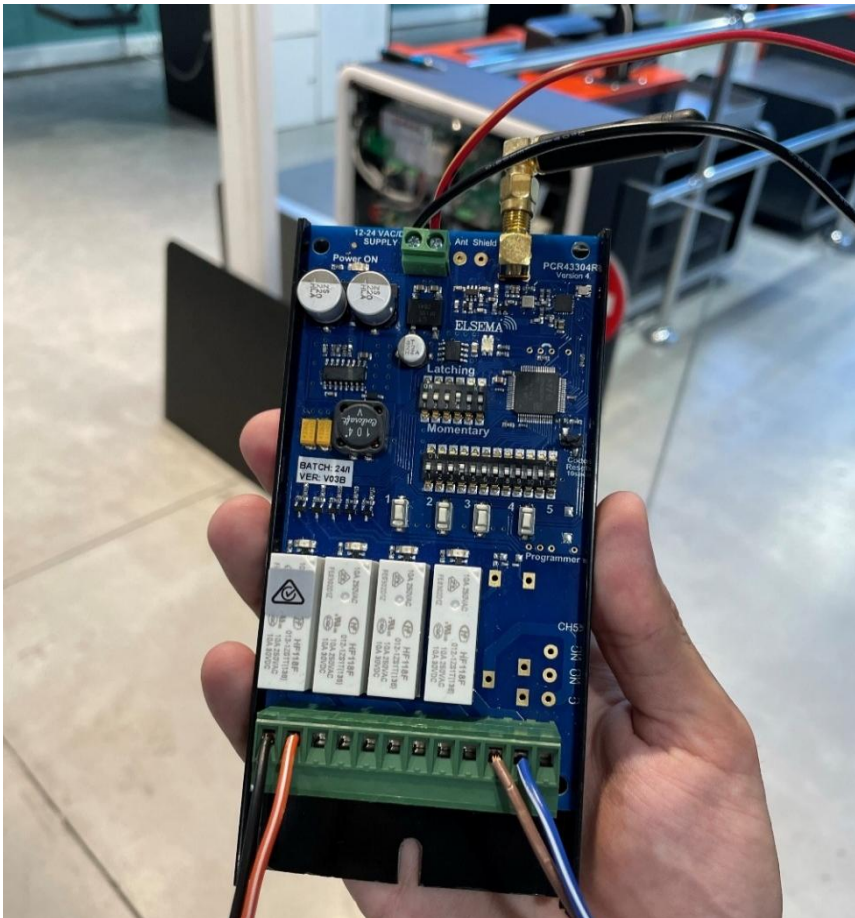
Relay 4 (Latched/Cleaning Mode)

1. Connect **Ch4 NO** to **Cleaning** on the Sigma control board.
2. Connect **Ch4 C** to **Ground** on the Sigma control board.

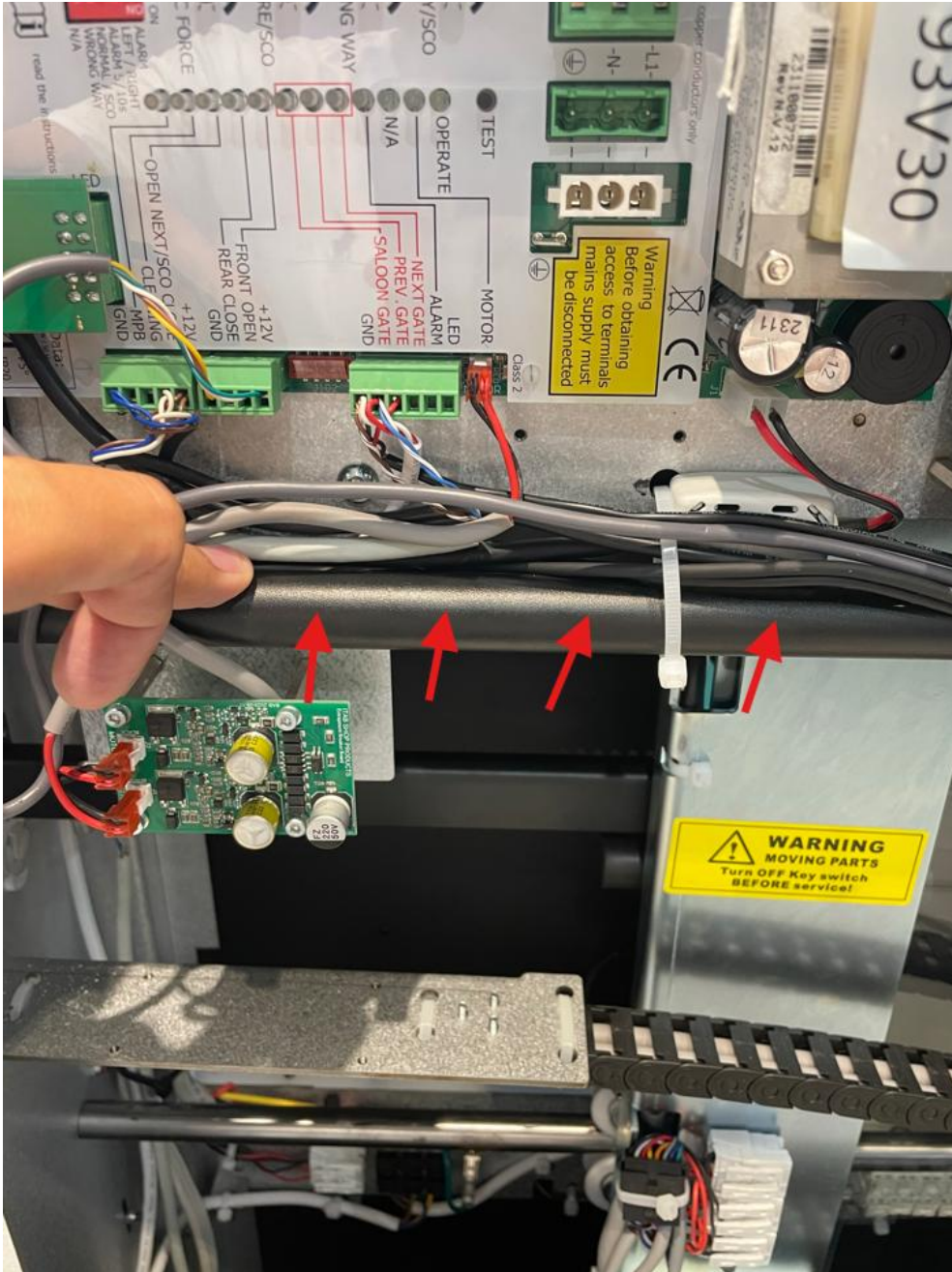
2. Mount the receivers

Note: The remote-control receiver must be installed on the same gate side as the ScanMaster, or the latched/cleaning signal will not be detected by the ScanMaster. (Needs to be done at both Gate 1 and 2)

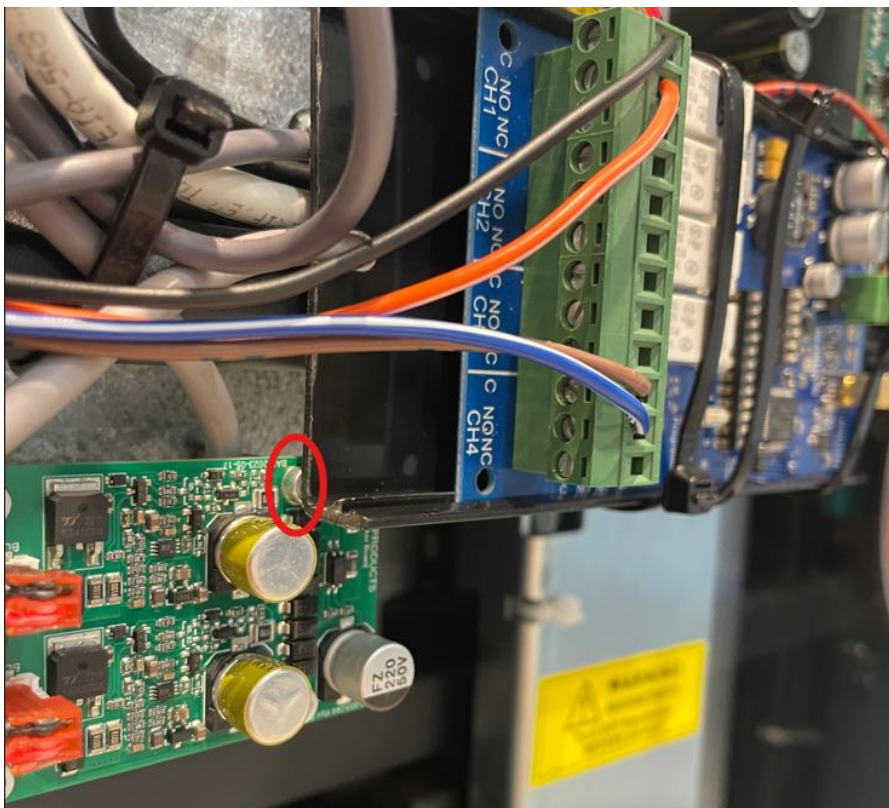
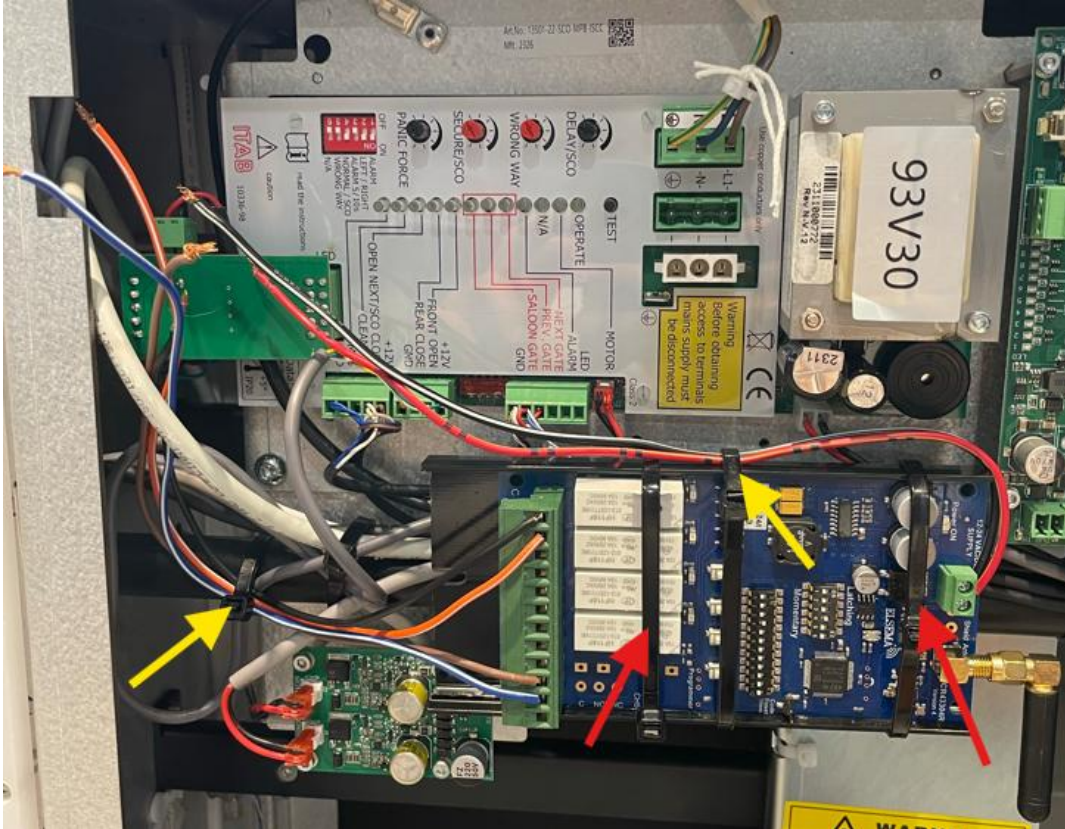
Fit the receiver into the plastic bracket. Fit it into the trace, see second picture.



Remove cables from rail (creates extra space, otherwise the receiver can hit the cover when putting it back). *Please note, if you don't have the plastic bracket, don't remove the cables. The cables will protect getting metal against metal.



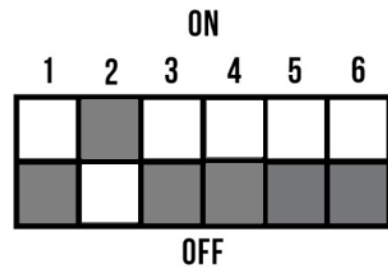
Let the bottom left corner "rest" on the screw to make it more stable (see second picture). Secure the receiver with two cable ties (red arrows). Securing cables with two cable ties (yellow arrows).



3. Set the DIP Switches & Pair Remotes

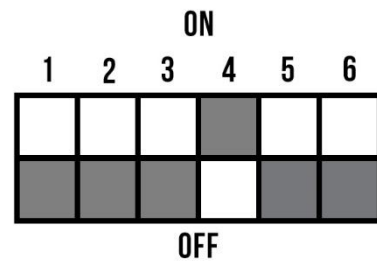
GATE1

1. Change Mode Selection on 6 DIP switches (outlined in red below) to OFF ON OFF OFF OFF OFF or Down Up Down Down Down Down.



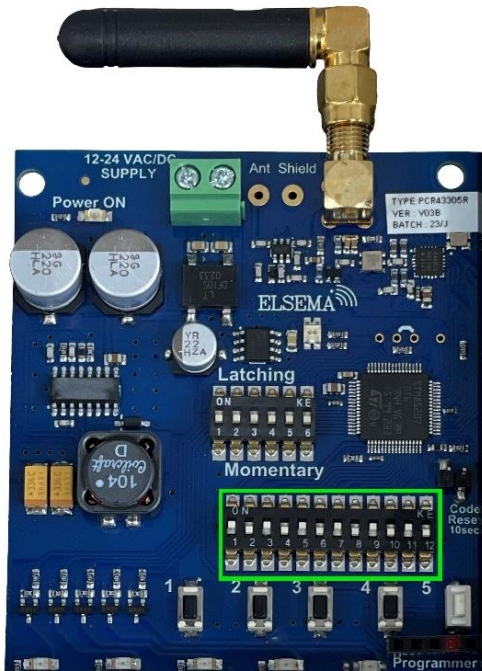
GATE2

2. Change Mode Selection on 6 DIP switches (outlined in red below) to OFF OFF OFF ON OFF OFF or Down Down Down Up Down Down.



- On the receiver, set switches 1-10 (outlined in green below) to match the store's postcode using the examples in the table below. As an example, if the store has a number 8 in the postcode set DIP switch 8 to the ON/Up position and ignore any zeros in the postcode. If the postcode has the same number more than once like 8888 only switch 8 must be set to ON/Up and rest will be OFF/Down.

Note: This change was requested by Woolworths and must be applied in all store installations from 1 September 2025 onward.



Postcode #	DIP Switches 1-10																						
0043	<table border="1"> <tr> <td>ON</td><td></td><td></td><td></td><td></td><td></td><td></td><td></td><td></td><td></td> <td>DIP</td> </tr> <tr> <td>1</td><td>2</td><td>3</td><td>4</td><td>5</td><td>6</td><td>7</td><td>8</td><td>9</td><td>10</td> <td></td> </tr> </table>	ON										DIP	1	2	3	4	5	6	7	8	9	10	
ON										DIP													
1	2	3	4	5	6	7	8	9	10														
0333	<table border="1"> <tr> <td>ON</td><td></td><td></td><td></td><td></td><td></td><td></td><td></td><td></td><td></td> <td>DIP</td> </tr> <tr> <td>1</td><td>2</td><td>3</td><td>4</td><td>5</td><td>6</td><td>7</td><td>8</td><td>9</td><td>10</td> <td></td> </tr> </table>	ON										DIP	1	2	3	4	5	6	7	8	9	10	
ON										DIP													
1	2	3	4	5	6	7	8	9	10														
3571	<table border="1"> <tr> <td>ON</td><td></td><td></td><td></td><td></td><td></td><td></td><td></td><td></td><td></td> <td>DIP</td> </tr> <tr> <td>1</td><td>2</td><td>3</td><td>4</td><td>5</td><td>6</td><td>7</td><td>8</td><td>9</td><td>10</td> <td></td> </tr> </table>	ON										DIP	1	2	3	4	5	6	7	8	9	10	
ON										DIP													
1	2	3	4	5	6	7	8	9	10														
3344	<table border="1"> <tr> <td>ON</td><td></td><td></td><td></td><td></td><td></td><td></td><td></td><td></td><td></td> <td>DIP</td> </tr> <tr> <td>1</td><td>2</td><td>3</td><td>4</td><td>5</td><td>6</td><td>7</td><td>8</td><td>9</td><td>10</td> <td></td> </tr> </table>	ON										DIP	1	2	3	4	5	6	7	8	9	10	
ON										DIP													
1	2	3	4	5	6	7	8	9	10														
1364	<table border="1"> <tr> <td>ON</td><td></td><td></td><td></td><td></td><td></td><td></td><td></td><td></td><td></td> <td>DIP</td> </tr> <tr> <td>1</td><td>2</td><td>3</td><td>4</td><td>5</td><td>6</td><td>7</td><td>8</td><td>9</td><td>10</td> <td></td> </tr> </table>	ON										DIP	1	2	3	4	5	6	7	8	9	10	
ON										DIP													
1	2	3	4	5	6	7	8	9	10														

- The table below explains Dip switch 11 and 12. The first receiver should always have Off/Off. If you the store has two receivers. The first should have Off/Off and the second should have On/Off. Follow the table for all the different set ups.

	Receivers Dip Switch 11	Receiver Dip Switch 12
Receiver 1	Off	Off
Receiver 2	On	Off
Receiver 3	Off	On
Receiver 4	On	On



- Set DIP switches 1-10 in the remote exactly the same as the receiver. Dip switch 11 and 12 should always be Off/Off.



- Lastly, insert the battery and test the functions.



23. Commissioning sign-off checklist

Complete the following check list when installation is complete:	✓	✗
	Yes	No
Site manager to check that gates are fully operational by ticking the boxes and signing below:		
Pictures of the cables coming through the brackets measured at 1963mm.		
Picture of 6 Chemset threaded rods (m10) through the bracket.		
Picture of Chemset filled bolt holes in gate brackets.		
Picture of earth, power and neutral connected to terminal in middle of gate.		
Pictures of 2core cross over cable connected to gate terminal in middle of gate and then connected to GND and saloon on gate control board with saloon LED illuminated.		
Picture of gate PEC sensors are aligned. picture of both lights on (4 sensors per gate set) (2.5mm Allen key).		
Picture of dipswitch settings on gate control board.		
Video of gates closing behind customers after 4 seconds.		
Video of gates being open when triggered for 15 seconds.		
Video of gates displaying Woolworths colour scheme. Solid green when closed, flashing Red whilst opening/closing and flashing Red for alarming.		
Video showing button 1 triggering auto-close and button 2 triggering latched/cleaning mode on the remotes. (Gate1)		
If there is a second gate in the zone, video showing button 3 triggering auto-close and button 4 triggering latched/cleaning mode on the remotes.		
Picture of gate body clear of debris (no excess cables, no cable ties etc.).		
Fluke test results.		
Gates are to be left keyed off and remotes are to be handed to the store manager and declaration signed.		
Are you satisfied that the finished works are compliant , and the layout is suitable to perform its intended operations?		
Are there groundwork fixings follow up required?		
Are there any screws or rubber/plastic bungs needing replacing ?		
Are there any covers needing replacement ?		
Are there any keys needed to be supplied to the store?		
Is there any equipment left behind for Woolworths perusal (if yes was the store manager notified of location)?		

25. Troubleshooting Schedule

Please read through the following steps:

Gates do not open:

- Check that there is power to the gate.
- Check the motor key switch is turned ON.
- Check if the gates are being held open on the remote controls.
- Check the connections of GateCOM cross over cable.

Gates do not close:

- Check that the motor key switch is turned ON.
- Check that CLEANING MODE is not activated by checking for illuminated LED on main PCB
- Check that the photoelectric cells are pointing directly at the corresponding reflector. See page 13 for adjustment of PEC.
- If the gates are equipped with Mechanical Panic Breakout, check that the gates are in normal position.
- If the problem is still not solved, switch off the mains power to the gate and turn it back on.

The gate alarm is activated:

- Check that the motor key switch is turned ON.
- Check that the photoelectric cells are pointing directly at the corresponding reflex. See page 13 for adjustment of PEC.

The gates do not behave as intended:

- Check the configuration of the gates concerning MASTER & SLAVE on page 23.
- Check that the photoelectric cells are pointing directly at the corresponding reflex.
- If problems continue, contact Radford Support.