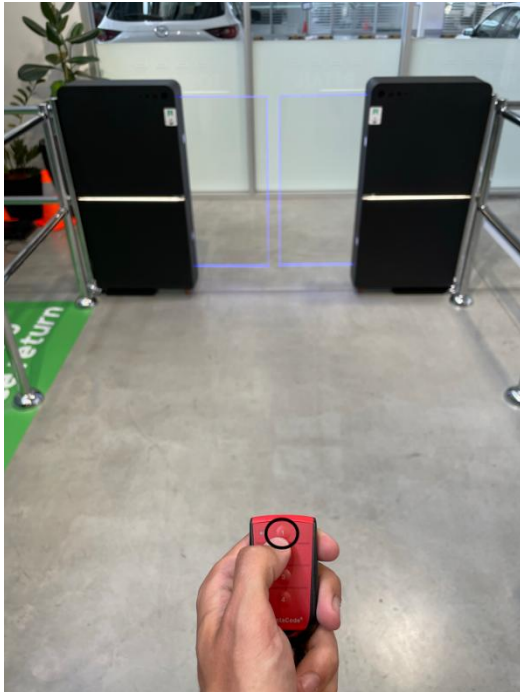


1. Remote control

Button 1 = Normal opening.
The gate will close itself.



Button 4 = Will hold the gate open.
Push button 4 again to close the gate.



2. Key switch

If the key switch is OFF, the gate will start flashing red. The gate will not open since there is no power to the motor. When the key is turned off you are able to push the gate arm into the gate body.

OFF



ON



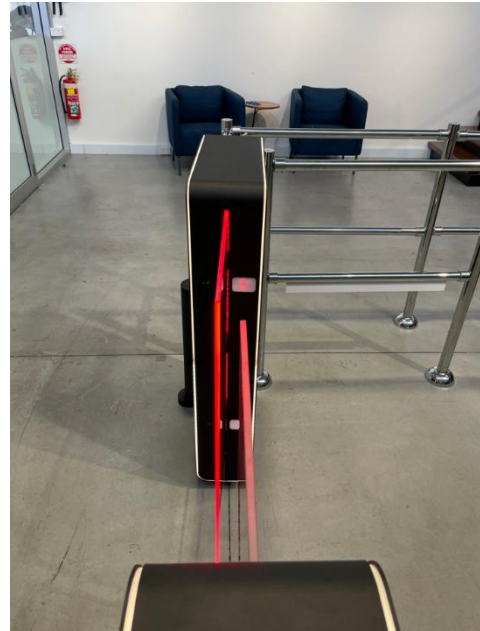
3. Closed position

If the MPB (Mechanical panic breakout) have been used it is important that the gate gets back to fully closed position. This can also happen if a customer hits the gate with a trolley or if the customer hits the gate itself.

Closed position.

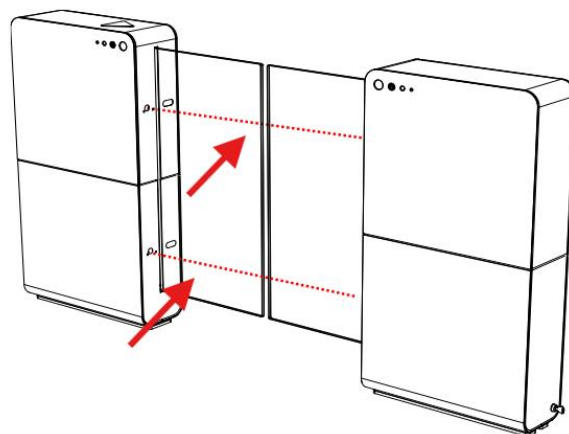


Not closed position.



4. Staff triggering the gates to open

If a staff member are standing close to one checkout for more than 10 seconds, the staff member will be able to trigger the gates to open when approaching the exit zone. If that's the case and if the staff member doesn't walk through the gates, the gates will stay open for a longer time (15 seconds instead of 4 seconds). To close the gates to prevent people from walking out, break the beam from one photocell with your hand/foot. See below picture.



5. Contact details

Support – support@radfordretail.com

Parts – parts@radfordretail.com

Service – peter@tardis.nz